



U.S. Department  
of Transportation  
**Federal Highway  
Administration**

1200 New Jersey Ave., SE  
Washington, D.C. 20590

February 14, 2018

In Reply Refer To:  
HSST-1/B-296

Mr. Russell Hood  
Safe Barriers Pte. Ltd.  
PO Box 148 Novena Post Office  
Singapore 913017

Dear Mr. Hood:

This letter is in response to your October 9, 2017 request for the Federal Highway Administration (FHWA) to review a roadside safety device, hardware, or system for eligibility for reimbursement under the Federal-aid highway program. This FHWA letter of eligibility is assigned FHWA control number B-296 and is valid until a subsequent letter is issued by FHWA that expressly references this device.

### **Decision**

The following device is eligible within the length-of-need, with details provided in the form which is attached as an integral part of this letter:

- Defender Barrier 100 FS

### **Scope of this Letter**

To be found eligible for Federal-aid funding, new roadside safety devices should meet the crash test and evaluation criteria contained in the American Association of State Highway and Transportation Officials' (AASHTO) Manual for Assessing Safety Hardware (MASH). However, the FHWA, the Department of Transportation, and the United States Government do not regulate the manufacture of roadside safety devices. Eligibility for reimbursement under the Federal-aid highway program does not establish approval, certification or endorsement of the device for any particular purpose or use.

This letter is not a determination by the FHWA, the Department of Transportation, or the United States Government that a vehicle crash involving the device will result in any particular outcome, nor is it a guarantee of the in-service performance of this device. Proper manufacturing, installation, and maintenance are required in order for this device to function as tested.

This finding of eligibility is limited to the crashworthiness of the system and does not cover other structural features, nor conformity with the Manual on Uniform Traffic Control Devices.

### **Eligibility for Reimbursement**

Based solely on a review of crash test results and certifications submitted by the manufacturer, and the crash test laboratory, FHWA agrees that the device described herein meets the crash test and evaluation criteria of the AASHTO's MASH. Therefore, the device is eligible for reimbursement under the Federal-aid highway program if installed under the range of tested conditions.

Name of system: Defender Barrier 100 FS  
Type of system: Longitudinal Barrier  
Test Level: MASH Test Level 3 (TL3)  
Testing conducted by: Holmes Solutions  
Date of request: October 8, 2017  
Date initially acknowledged: October 15, 2017

FHWA concurs with the recommendation of the accredited crash testing laboratory on the attached form. Though the laboratory conducted Test 3-21 Transition test for an attachment between test article and an attenuator and included this test in this submission, this eligibility letter is for barrier length of need only.

### **Full Description of the Eligible Device**

The device and supporting documentation, including reports of the crash tests or other testing done, videos of any crash testing, and/or drawings of the device, are described in the attached form.

### **Notice**

This eligibility letter is issued for the subject device as tested. Modifications made to the device are not covered by this letter. Any modifications to this device should be submitted to the user (i.e., state DOT) as per their requirements.

You are expected to supply potential users with sufficient information on design, installation and maintenance requirements to ensure proper performance.

You are expected to certify to potential users that the hardware furnished has the same chemistry, mechanical properties, and geometry as that submitted for review, and that it will meet the test and evaluation criteria of AASHTO's MASH.

Issuance of this letter does not convey property rights of any sort or any exclusive privilege. This letter is based on the premise that information and reports submitted by you are accurate and correct. We reserve the right to modify or revoke this letter if: (1) there are any inaccuracies in the information submitted in support of your request for this letter, (2) the qualification testing was flawed, (3) in-service performance or other information reveals safety problems, (4) the

system is significantly different from the version that was crash tested, or (5) any other information indicates that the letter was issued in error or otherwise does not reflect full and complete information about the crashworthiness of the system.

### Standard Provisions

- To prevent misunderstanding by others, this letter of eligibility designated as FHWA control number B-296 shall not be reproduced except in full. This letter and the test documentation upon which it is based are public information. All such letters and documentation may be reviewed upon request.
- This letter shall not be construed as authorization or consent by the FHWA to use, manufacture, or sell any patented system for which the applicant is not the patent holder.
- If the subject device is a patented product it may be considered to be proprietary. If proprietary systems are specified by a highway agency for use on Federal-aid projects: (a) they must be supplied through competitive bidding with equally suitable unpatented items; (b) the highway agency must certify that they are essential for synchronization with the existing highway facilities or that no equally suitable alternative exists; or (c) they must be used for research or for a distinctive type of construction on relatively short sections of road for experimental purposes. Our regulations concerning proprietary products are contained in Title 23, Code of Federal Regulations, Section 635.411.

Sincerely,

A handwritten signature in blue ink that reads "Michael S. Griffith". The signature is written in a cursive style with a large initial "M".

Michael S. Griffith  
Director, Office of Safety Technologies  
Office of Safety

Enclosures



## Request for Federal Aid Reimbursement Eligibility of Highway Safety Hardware

<b>Submitter</b>	Date of Request:	October 9 2017	<input checked="" type="radio"/> New <input type="radio"/> Resubmission
	Name:	Russell Hood	
	Company:	Safe Barriers Pte. Ltd.	
	Address:	PO Box 148, Novena Post Office, Singapore 913017	
	Country:	Singapore	
	To:	Michael S. Griffith, Director FHWA, Office of Safety Technologies	

I request the following devices be considered eligible for reimbursement under the Federal-aid highway program.

**Device & Testing Criterion** - Enter from right to left starting with Test Level

!-!-!

System Type	Submission Type	Device Name / Variant	Testing Criterion	Test Level
'B': Rigid/Semi-Rigid Barriers (Roadside, Median, Bridge Railings)	<input checked="" type="radio"/> Physical Crash Testing <input type="radio"/> Engineering Analysis	Defender Barrier 100FS	AASHTO MASH	TL3

By submitting this request for review and evaluation by the Federal Highway Administration, I certify that the product(s) was (were) tested in conformity with the AASHTO Manual for Assessing Safety Hardware and that the evaluation results meet the appropriate evaluation criteria in the MASH.

**Individual or Organization responsible for the product:**

Contact Name:	Russell Hood	Same as Submitter <input checked="" type="checkbox"/>
Company Name:	Safe Barriers Pte. Ltd.	Same as Submitter <input checked="" type="checkbox"/>
Address:	PO Box 148, Novena Post Office, Singapore 913017	Same as Submitter <input checked="" type="checkbox"/>
Country:	Singapore	Same as Submitter <input checked="" type="checkbox"/>

Enter below all disclosures of financial interests as required by the FHWA 'Federal-Aid Reimbursement Eligibility Process for Safety Hardware Devices' document.

Holmes Solutions performs crash testing activities for Safe Barriers Pte. Ltd. For the completion of these services, Holmes Solutions receive payment in the form of professional fees. In no circumstance are these fees received linked to the performance of the product not the outcome of the tests. In accordance with the requirements of Holmes Solutions ISO 17025 accreditation, all testing activities are completed free from undue commercial influence.

Holmes Solutions does not have, nor ever had, any financial interest in Safe Barriers or any of the products that they sell. Holmes Solutions does not receive and research funding or other forms of payment from Safe Barriers. Holmes Solutions have no business ownership or investment interest in Safe Barriers. No licensing agreements exist between Holmes Solutions and Safe Barriers.

## PRODUCT DESCRIPTION

New Hardware or Significant Modification
  Modification to Existing Hardware

The Defender Barrier™ 100 FS (Free Standing) is an unanchored Test Level 3 longitudinal steel temporary barrier system consisting of :

**Steel Barrier Segments** - Barrier segments are manufactured from Q235B grade steel with a nominal 3.0mm wall thickness. Each barrier measures 3960mm (155.9") long x 800mm (31.4") high x 680mm (26.7") wide and have a dry weight of 320kg (705.6lbs). Each of the steel barriers connect together via interlocking flanges and a steel galvanized connecting pin at each end. The installed length of each barrier segment is 3900mm (153.5"). The two lifting points for the barrier are approximately 1350mm (53.15") apart.

**Connecting Pins** - Galvanized connecting pins connecting the barrier segments are manufactured from Q235B steel and measure 30mm (1.18") diameter x 550mm (21.6") long. The top of the pin has a 50mm (2") wide x 9.5mm (0.37") thick plate welded 5mm down from the top end of the bar. Pins are fitted vertically down through interlocking lugs of the barrier segment forming a hinge type joint.

**Ballast Boxes** - Three ballast boxes measuring 954mm (37.55") long x 788mm (31") high x 150mm (5.9") wide. Each ballast box can hold 0.1 cubic meter of concrete, approximately 240kg (529.2lbs) in weight. There is a filling hole measuring 110mm (4.33") x 190mm (7.48") for each ballast box. Each ballast box if connected to the barrier segment with four (4) M16 G8.8 bolts.

## CRASH TESTING

By signature below, the Engineer affiliated with the testing laboratory, agrees in support of this submission that all of the critical and relevant crash tests for this device listed above were conducted to meet the MASH test criteria. The Engineer has determined that no other crash tests are necessary to determine the device meets the MASH criteria.

Engineer Name:	Emerson ryder	
Engineer Signature:	<b>Emerson Ryder</b>	Digitally signed by Emerson Ryder Date: 2018.02.09 15:37:23 +13'00'
Address:	level 2, 254 Montreal Street christchurch	Same as Submitter <input type="checkbox"/>
Country:	New Zealand	Same as Submitter <input type="checkbox"/>

A brief description of each crash test and its result:

Required Test Number	Narrative Description	Evaluation Results
3-10 (1100C)	<p>Holmes Crash Test No. 131393.3-10FS was performed on 31st July 2017. The Defender Barrier™ 100FS successfully contained and redirected the 1100c vehicle impacting the test article at 24.9 degrees and a velocity of 100.5km/h (62.8mph). Maximum dynamic deflection during the test was 1.1m (3.6').</p> <p>The test vehicle impacted the test installation 920mm upstream of barrier joint 18A. The CIP was chosen to maximize the potential to snag a wheel on the adjoining barriers and also to increase the Occupant Impact Velocity (OIV).</p> <p>No debris or detached elements penetrated or showed potential to penetrate the occupant compartment. No fragments were distributed outside of the vehicle trajectory. The trajectory of the vehicle was such that it did not present any undue hazard to other traffic, pedestrians or work zone personnel.</p> <p>The vehicle remained upright during and after the impact and vehicle stability was considered satisfactory. Occupant risk factors satisfied the test criteria and the vehicle exit trajectory remained within acceptable limits.</p>	PASS

Required Test Number	Narrative Description	Evaluation Results
3-11 (2270P)	<p>Holmes Crash Test No. 131393.3-11FS was performed on 28th July 2017. The Defender Barrier™ 100FS successfully contained and redirected the 2270P vehicle impacting the test article at 25.0 degrees and a velocity of 97.0km/h (60.6mph). Maximum dynamic deflection during the test was 1.9m (6.2').</p> <p>The test vehicle impacted the test installation 360mm upstream of barrier joint 18A. The CIP was chosen to test the containment and vehicle stability, while also imparting the most amount of load on the connection joint.</p> <p>No debris or detached elements penetrated or showed potential to penetrate the occupant compartment. No fragments were distributed outside of the vehicle trajectory. The trajectory of the vehicle was such that it did not present any undue hazard to other traffic, pedestrians or work zone personnel.</p> <p>The vehicle remained upright during and after the impact and vehicle stability was considered satisfactory. Occupant risk factors satisfied the test criteria and the vehicle exit trajectory remained within acceptable limits.</p>	PASS
3-20 (1100C)		Non-Relevant Test, not conducted
3-21 (2270P)		Non-Relevant Test, not conducted

Full Scale Crash Testing was done in compliance with MASH by the following accredited crash test laboratory (cite the laboratory's accreditation status as noted in the crash test reports.):

Laboratory Name:	Holmes Solutions	
Laboratory Signature:	<b>Emerson Ryder</b>	Digitally signed by Emerson Ryder Date: 2018.02.09 15:39:05 +13'00'
Address:	level 2, 254 Montreal Street christchurch	Same as Submitter <input type="checkbox"/>
Country:	New Zealand	Same as Submitter <input type="checkbox"/>
Accreditation Certificate Number and Dates of current Accreditation period :	7559 1022 23 July 2009 to present day NZS ISO/IEC 17025:2005	



Submitter Signature\*: **Russell Hood** Digitally signed by Russell Hood  
Date: 2018.02.09 11:06:51 +08'00'

Submit Form
-------------

## ATTACHMENTS

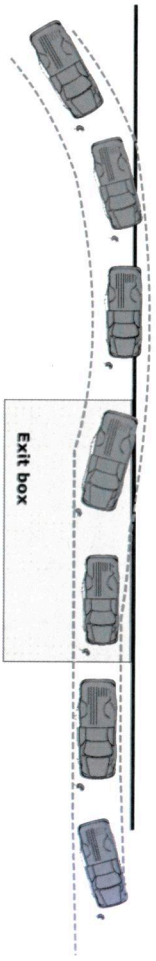
Attach to this form:

- 1) Additional disclosures of related financial interest as indicated above.
- 2) A copy of the full test report, video, and a Test Data Summary Sheet for each test conducted in support of this request.
- 3) A drawing or drawings of the device(s) that conform to the Task Force-13 Drawing Specifications [[Hardware Guide Drawing Standards](#)]. For proprietary products, a single isometric line drawing is usually acceptable to illustrate the product, with detailed specifications, intended use, and contact information provided on the reverse. Additional drawings (not in TF-13 format) showing details that are relevant to understanding the dimensions and performance of the device should also be submitted to facilitate our review.

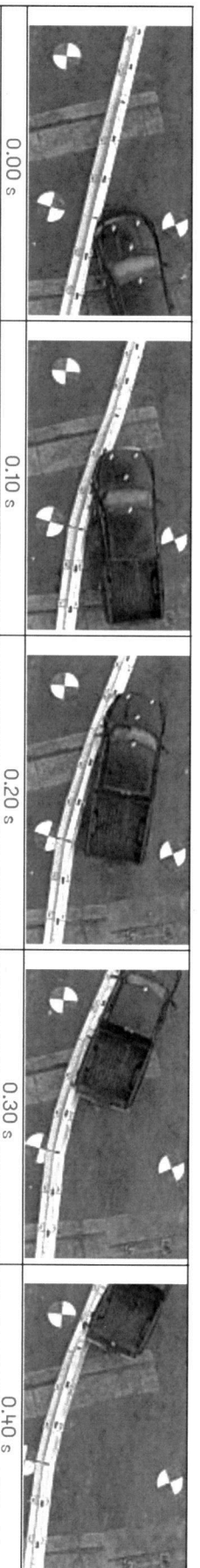
FHWA Official Business Only:

Eligibility Letter		
Number	Date	Key Words



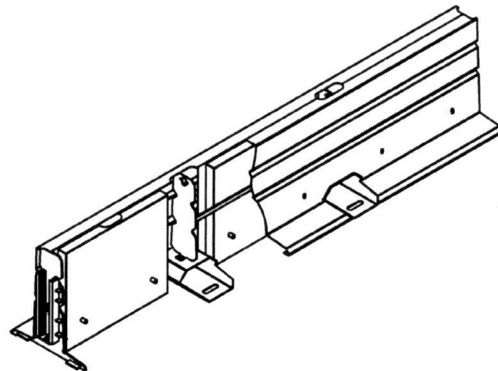
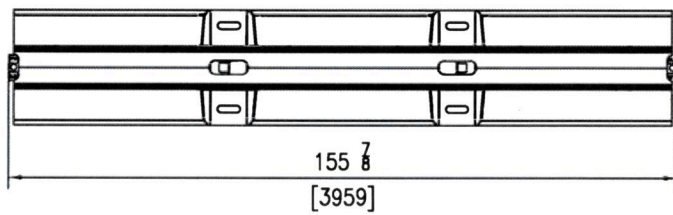
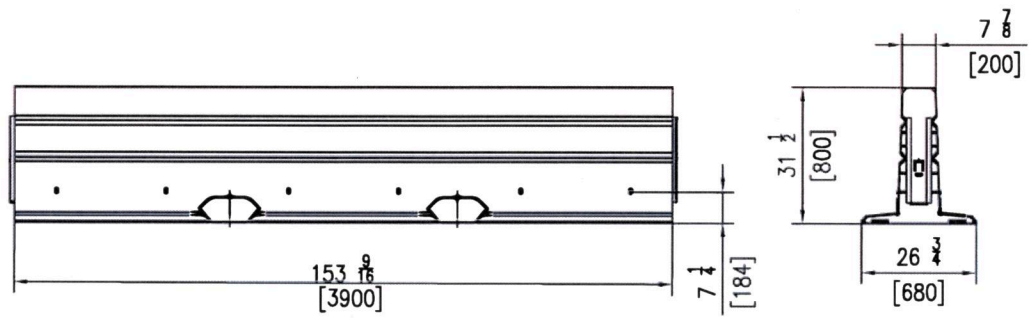


<b>Test Article:</b>	Safe Barriers STBS - Defender 100FS	<b>Post Impact Vehicle Behaviour</b>	
<b>Total Length:</b>	156.0 m	<b>Vehicle Stability</b>	Good
<b>Key Elements - Barrier</b>	Test 3-10	<b>Stopping Distance</b>	54.6 m
<b>Description</b>	Free Standing Ballasted Barrier (STBS)	<b>Vehicle Snagging</b>	None
<b>Length of Barrier Installation</b>	156.0 m length of need	<b>Vehicle Pooketing</b>	None
<b>Height</b>	0.80 m	<b>Occupant Impact Velocity (m/s)</b>	0.092 seconds left side of interior
<b>Length of Barrier Segments</b>	3.9 m	<b>Longitudinal</b>	4.7
<b>Test Vehicle</b>		<b>Lateral (optional)</b>	-6.9
<b>Designation</b>	1100C	<b>Occupant Ride-down Deceleration</b>	
<b>Make/Model</b>	Nissan Tiida	<b>X-direction (g)</b>	-4.1 (0.2348 - 0.2448 seconds)
<b>Dimensions (LxWxH)</b>	4100 mm x 1690 mm x 1530 mm	<b>Y-direction (g)</b>	11.8 (0.2250 - 0.2350 seconds)
<b>Curb Wt</b>	1090.5 kg	<b>THIV (optional) (m/s)</b>	8.3
<b>Test Inertial Wt</b>	1110 kg	<b>PHD (optional) (g)</b>	12.1 (0.2250 - 0.2350 seconds)
<b>Gross Static</b>	1185 kg	<b>ASL (optional)</b>	1.53 (0.0283 - 0.0783 seconds)
<b>Impact Conditions</b>		<b>Test Article Damage</b>	Minor
<b>Speed</b>	100.5 km /h	<b>Test Article Deflections</b>	
<b>Angle</b>	24.9 degrees	<b>Dynamic</b>	1.1 m
<b>Impact Point</b>	920 mm upstream of barrier joint 18A	<b>Permanent</b>	1.1 m
<b>Exit Conditions</b>		<b>Working Width</b>	1.1 m
<b>Exit Speed:</b>	0 km/h	<b>Vehicle Damage Exterior</b>	
<b>Exit Angle:</b>	1°	<b>VDS</b>	11FL-2
<b>Test Number</b>	131393.3-10FS	<b>CDC</b>	11LFEE2
<b>Test Date</b>	31 July 2017	<b>Maximum Deformation</b>	100 mm



<b>Test Article:</b>	Safe Barriers STBS - Defender 100FS	<b>Post Impact Vehicle Behaviour</b>	
<b>Total Length:</b>	156.0 m	Vehicle Stability	Good
<b>Key Elements - Barrier</b>	Test 3-11	Stopping Distance	85.0 m
Description	Free Standing Ballasted Barrier (STBS)	Vehicle Snagging	None
Length of Barrier Installation	156.0 m length of need	Vehicle Pooking	None
Height	0.80 m	Occupant Impact Velocity (m/s)	0.1138 seconds on leftside of interior
Length of Barrier Segments	3.9 m	Longitudinal	3.7
<b>Test Vehicle</b>		Lateral (optional)	-5.8
Designation	2270P	<b>Occupant Ride-down Deceleration</b>	
Make/Model	Dodge Ram 1500 Quad Cab	X-direction (g)	-2.5 [0.2706 - 0.2806 seconds]
Dimensions (LxWxH)	5715 mm x 2000 mm x 1885 mm	Y-direction (g)	9.1 [0.2678 - 0.2778 seconds]
Curb Wt	2197.0 kg	THIV (optional) (m/s)	6.4
Test Inertial Wt	2231.0 kg	PHD (optional) (g)	9.3 [0.2678 - 0.2778 seconds]
Gross Static	2231.0 kg	ASL (optional)	1.15 [0.0327 - 0.0827 seconds]
<b>Impact Conditions</b>		<b>Test Article Damage</b>	Minor
Speed	97.0 km /h	<b>Test Article Deflections</b>	
Angle	25.0 degrees	Dynamic	1.9 m
Impact Point	360 mm upstream of barrier joint 18A	Permanent	1.9 m
<b>Exit Conditions</b>		Working Width	1.9 m
Exit Speed:	60 km/h	<b>Vehicle Damage Exterior</b>	
Exit Angle:	2.0°	VDS	11FL-2
<b>Test Number</b>	131393.3-11FS	CDC	11LFEE2
<b>Test Date</b>	28 July 2017	Maximum Deformation	180 mm





## Steel Barrier Segment

**SAFE BARRIERS**

[www.safebarriers.com](http://www.safebarriers.com)

D100FS

SHEET NO.

DATE:

1 of 6

4 Oct 17