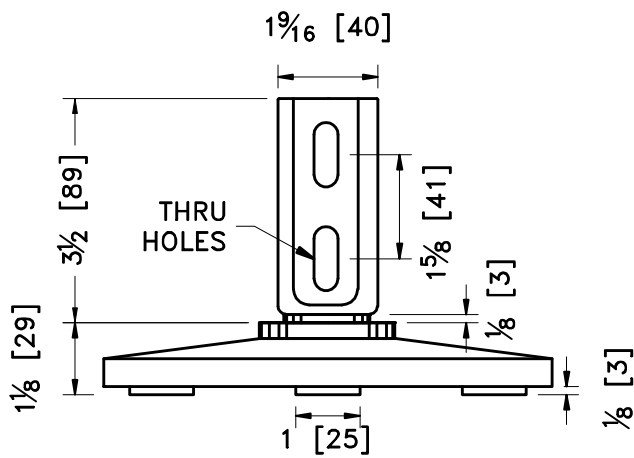
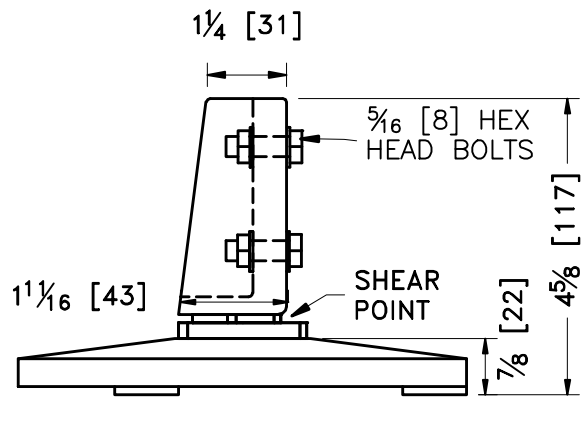


TOP VIEW



FRONT



SIDE

2011

SNAP'n SAFE U-CHANNEL POST
SURFACE MOUNT BREAKAWAY COUPLER



DESIGNOVATIONS, INC.

7339 WILDWOOD ROAD • STILLMAN VALLEY, IL 61084
PHONE: 888-868-6588 • FAX: 815-645-2389
EMAIL: sales@designovations.com • www.designovations.com

FMCO3

SHEET NO.	REF. NO.
1 of 1	DV-45