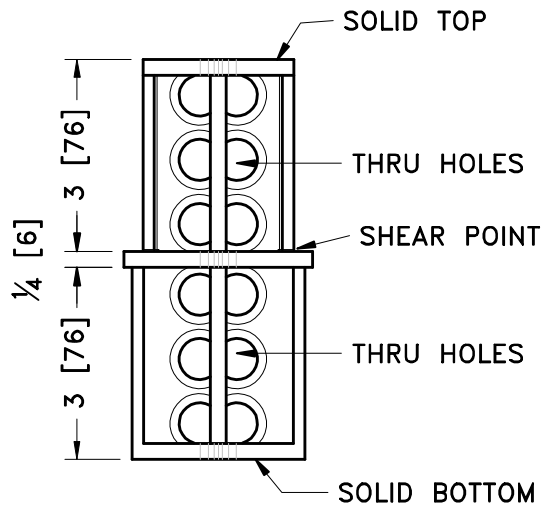
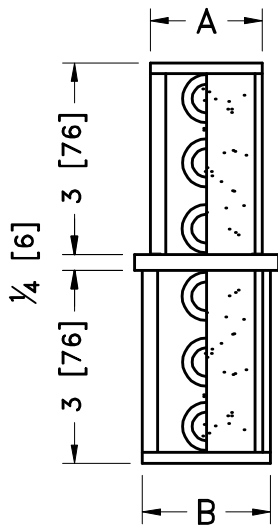


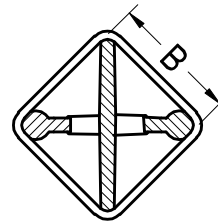
TOP SECTION



ROTATED 45° VIEW



FRONT VIEW



BOTTOM SECTION

FMC05		
PART #	DIM A	DIM B
S175	1.50"	1.75"
S200	1.75"	2.00"
S225	2.00"	2.25"
S250	2.25"	2.50"

2011

SNAP'n SAFE SQUARE POST
GROUND MOUNT BREAKAWAY COUPLER



DESIGNOVATIONS, INC.

7339 WILDWOOD ROAD • STILLMAN VALLEY, IL 61084
PHONE: 888-868-6588 • FAX: 815-645-2389
EMAIL: sales@designovations.com • www.designovations.com

FMC05

SHEET NO.	REF. NO.
1 of 1	DV-46C