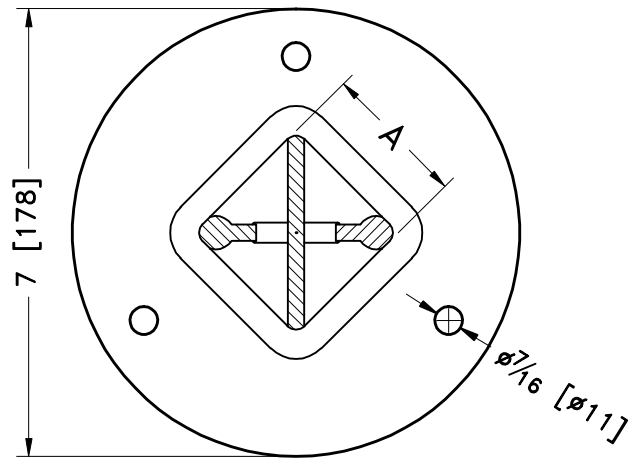
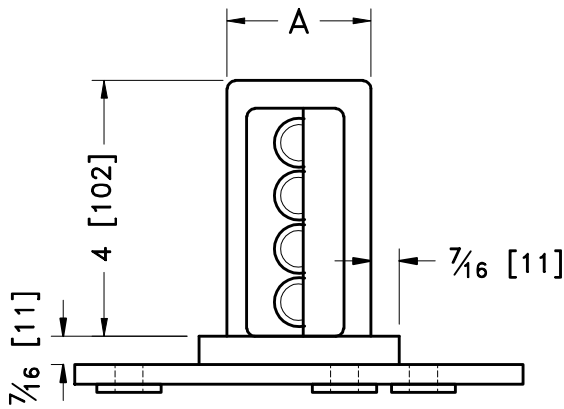


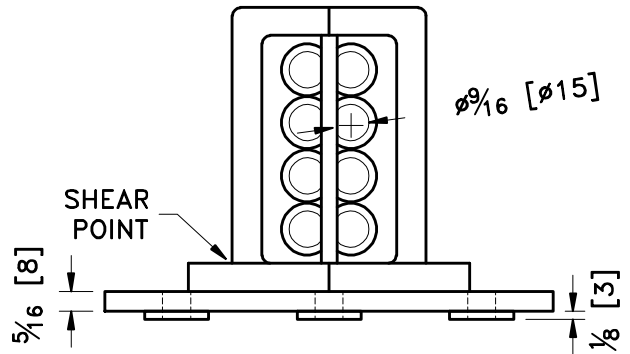
TOP SECTION VIEW



TOP ROTATED 45°



FRONT VIEW



FRONT ROTATED 45°

FMC06		
PART #	DIM A	DIM B
S175S	1.50"	1.75"
S200S	1.75"	2.00"
S225S	2.00"	2.25"
S250S	2.25"	2.50"

2011

SNAP'n SAFE SQUARE POST
SURFACE MOUNT BREAKAWAY COUPLER



DESIGNOVATIONS, INC.

7339 WILDWOOD ROAD • STILLMAN VALLEY, IL 61084
PHONE: 888-868-6588 • FAX: 815-645-2389
EMAIL: sales@designovations.com • www.designovations.com

FMC06

SHEET NO.	REF. NO.
1 of 1	DV-02C