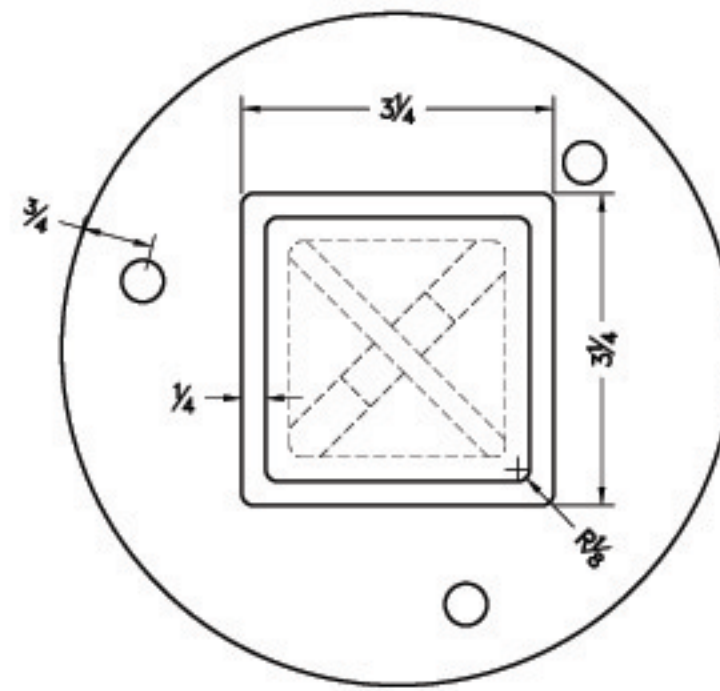
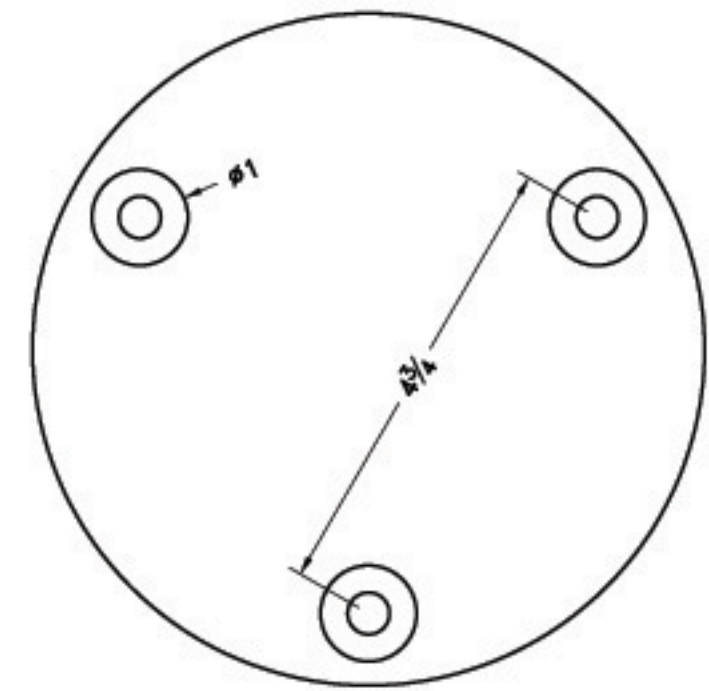


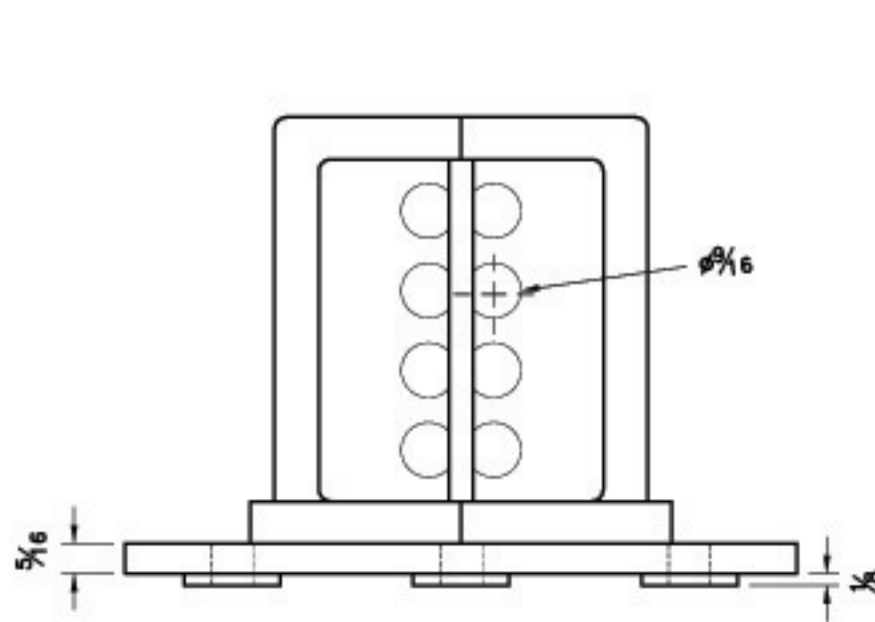
TOP VIEW



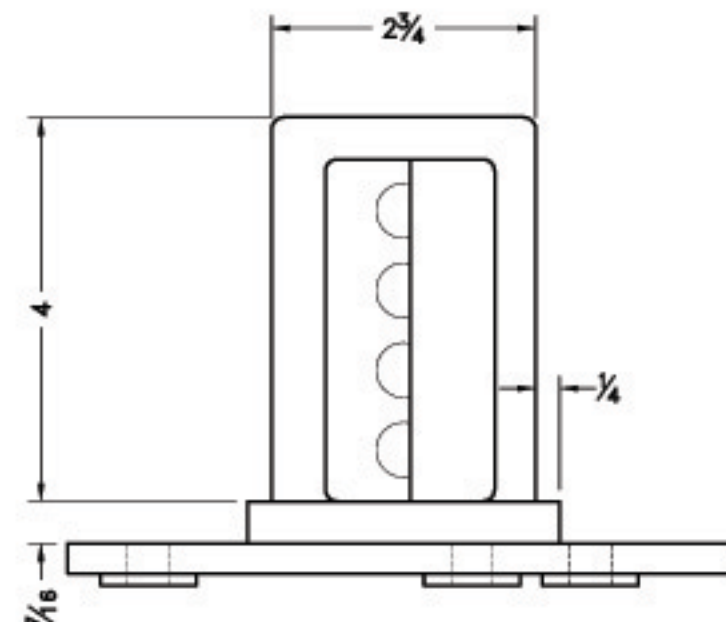
TOP VIEW ROTATED 45°



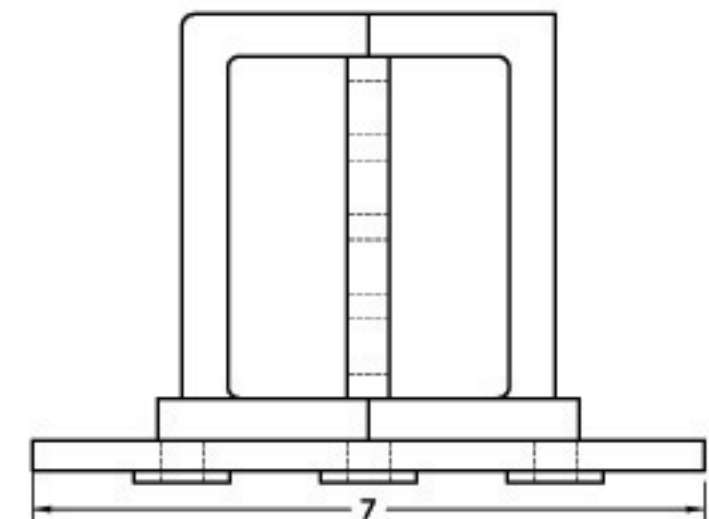
BOTTOM VIEW



FRONT VIEW



VIEW ROTATED 45°



SIDE VIEW

Also available for 2.25", 2.0", 1.75" sign posts.
The Coupler is proportionately smaller to fit the various smaller sizes.

SNAP'n SAFE Breakaway Coupler
Concrete Application— 2 1/2" Steel Post
ASTM A48 Grey Iron Class 35 Scale: 6"=1"
Drawing Property of Designovations, Inc. 01/06