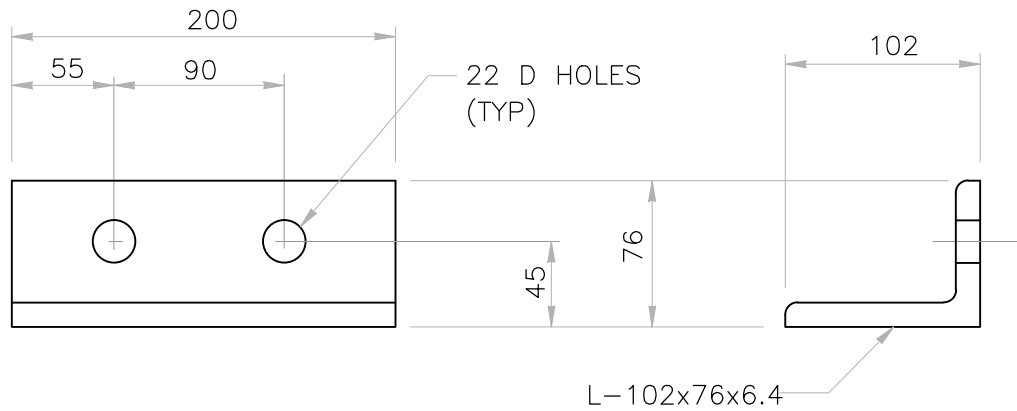


ASSEMBLY DETAIL



1994

DRIVEWAY END POST BRACKET

FPP05

SHEET NO.

REF. NO.

1 of 2