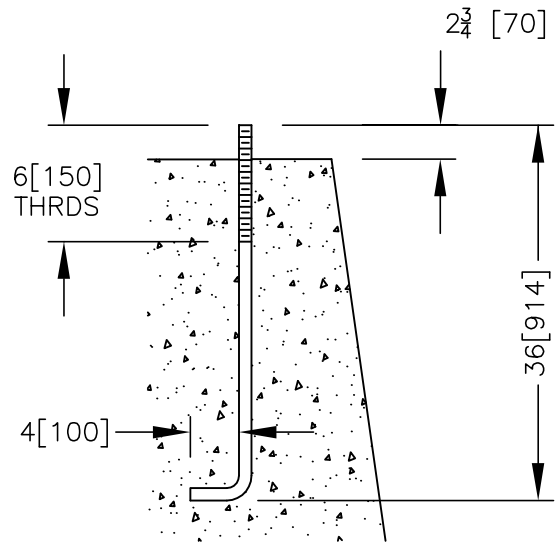
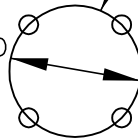


- 4-1[25]-8NC GALV STL ANCHOR BOLTS  
AASHTO M314-90 GRADE 55
- 10[250] THREADED END GALV PER ASTM A153
- 4-1[25]-8NC GALV STL HEX NUTS
- 4-1[25] GALV STL LOCKWASHERS
- 4-1[25] GALV STL FLATWASHERS

10[250] TO 11[280] D  
BOLT CIRCLE



# HAPCO 4-BOLT SHOE BASE FOR LUMINAIRE

**hapco**

Abingdon, Va.

**LBH01**

SHEET NO.	DATE:
1 OF 2	2010

## SPECIFICATIONS

Dimensional tolerances not shown or implied are intended to be those consistent with the proper functioning of the part, including its appearance and accepted manufacturing practices.

## INTENDED USE

For use with pole component(s) LPA01.

## HAPCO 4-BOLT SHOE BASE FOR LUMINAIRE

**LBH01**



SHEET NO.

DATE

2 of 2

2010

