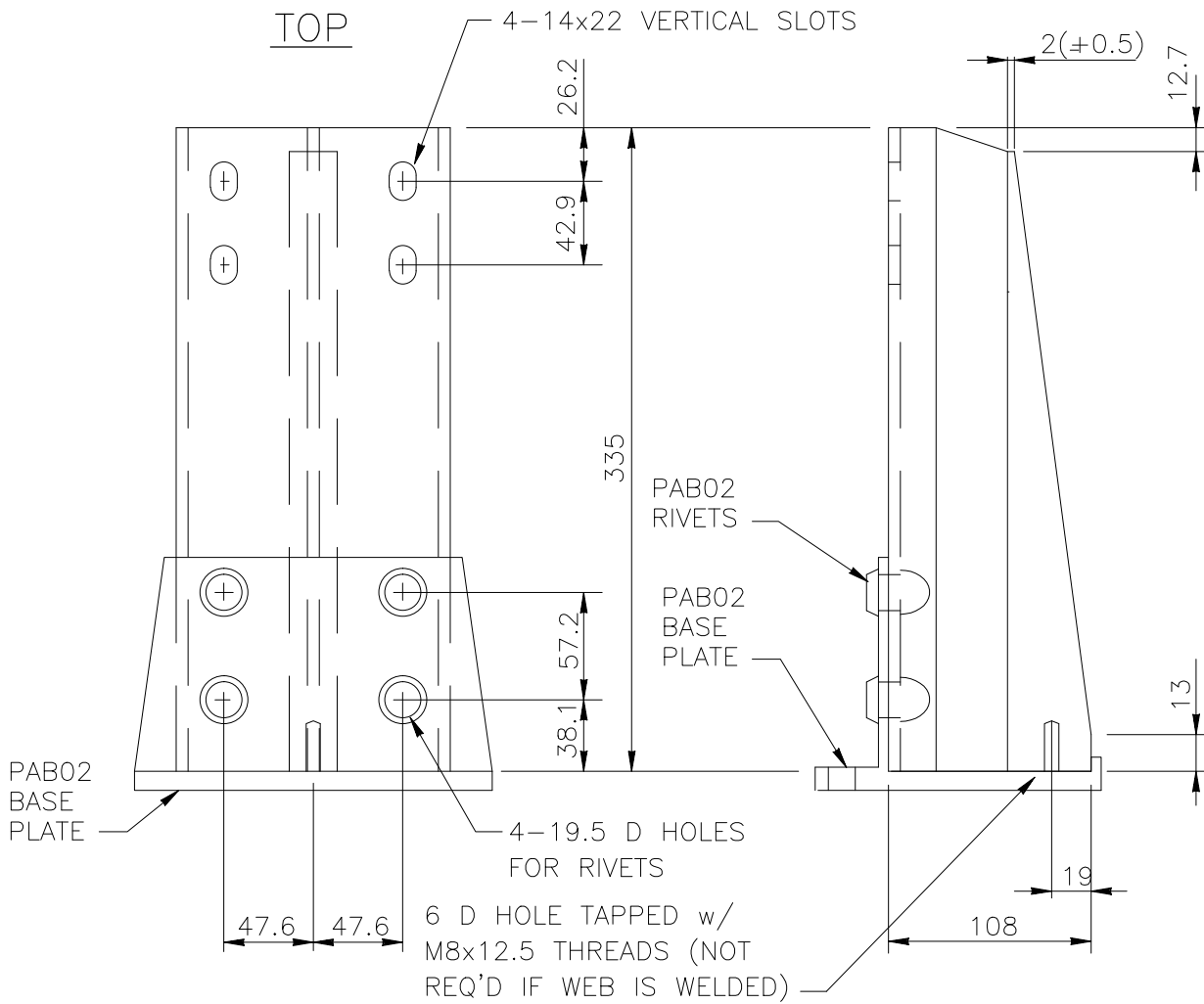


M8x1.25 SOCKET  
HEAD CAP SCREW

TOP



BR1 TYPE C ALUMINUM BRIDGE POST

PAF02

SHEET NO.

REF. NO.

1 of 2

P-35-73