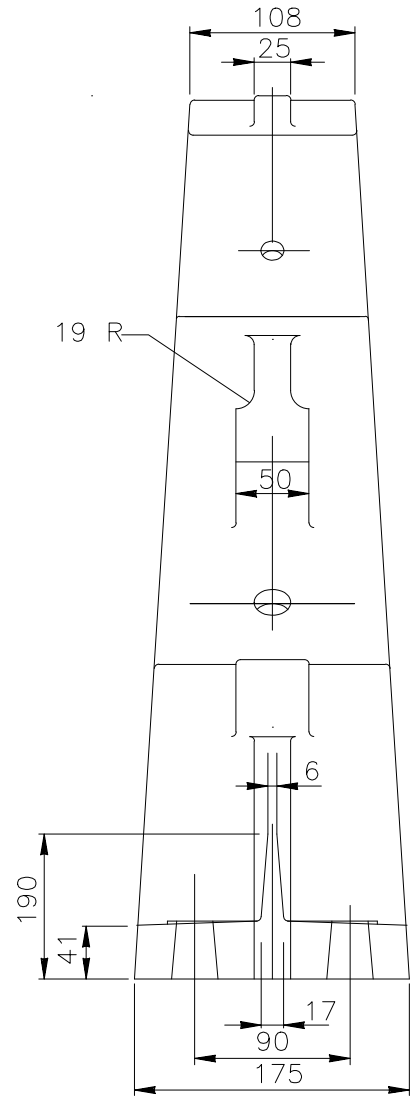
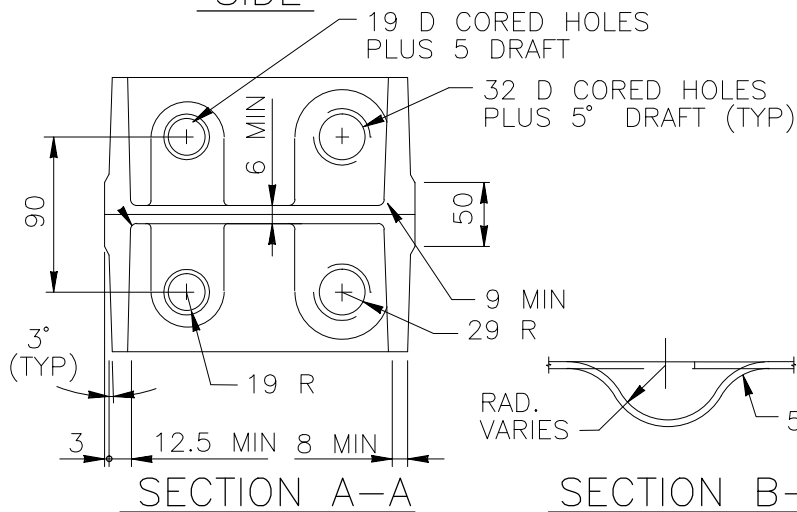


SIDE

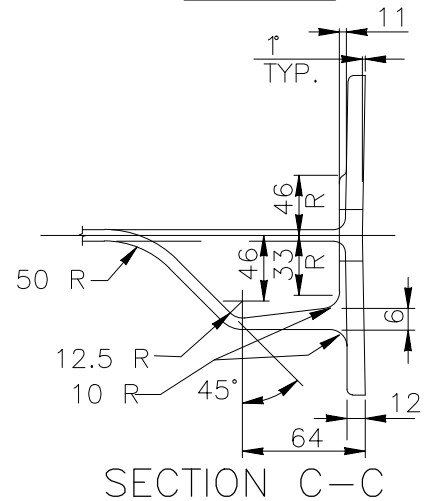


FRONT



SECTION A-A

SECTION B-B



SECTION C-C

BR2 TYPE A ALUMINUM BRIDGE POST

PAF07

SHEET NO.	REF. NO.
1 of 2	P-30-79