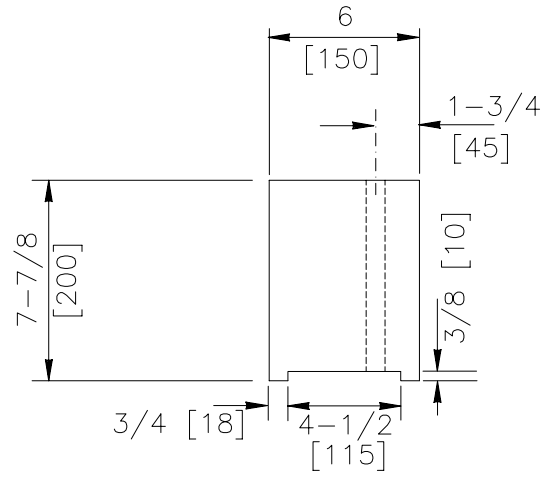
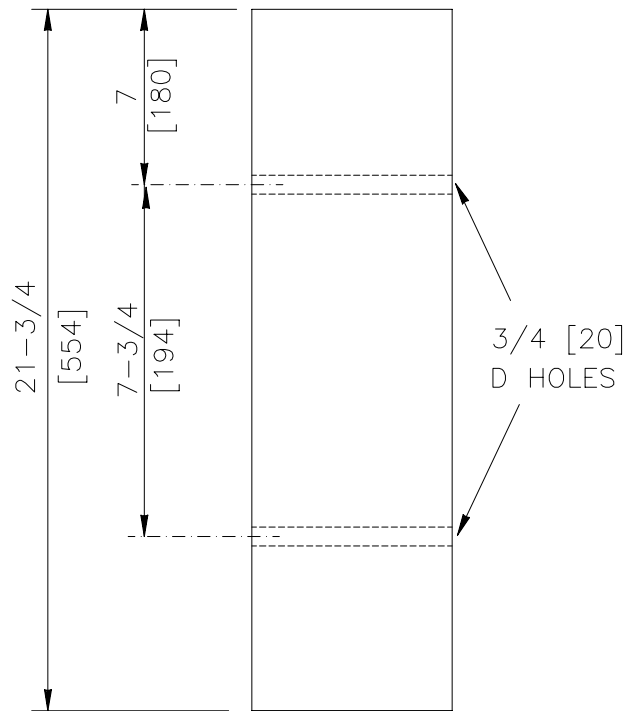


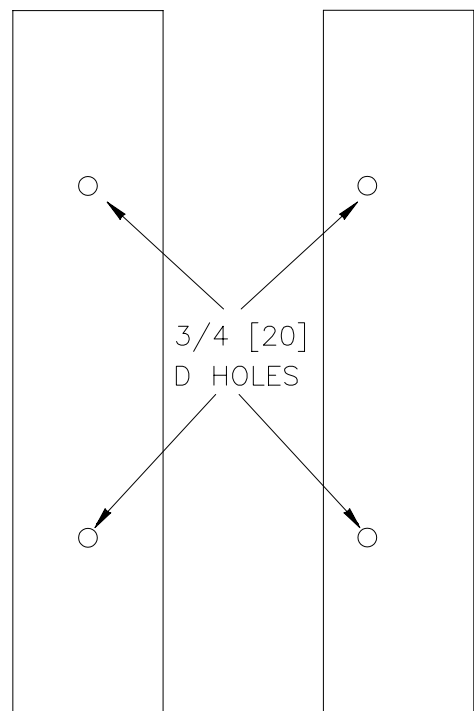
PLAN (a)



PLAN (b)



SIDE



(a)

(b)

FRONT

1994

THRIE BEAM TIMBER BLOCKOUT

PDB02a-b

SHEET NO.

DATE:

1 of 2

7/01/2005

## SPECIFICATIONS

Blockouts shall be made of timber with a stress grade of at least 1160 psi [8 MPa]. Grading shall be in accordance with the rules of the West Coast Lumber Inspection Bureau, Southern Pine Inspection Bureau, or other appropriate timber association. Timber for blockouts shall be either rough-sawn (unplaned) or S4S (surfaced four sides) with nominal dimensions indicated. The variation in size of blockouts in the direction parallel to the axis of the bolt holes shall not be more than  $\pm \frac{1}{4}$  inch [6 mm]. Only one type of surface finish shall be used for posts and blockouts in any one continuous length of guardrail.

All timber shall receive a preservation treatment in accordance with AASHTO M 133 after all end cuts are made and holes are drilled.

Dimensional tolerances not shown or implied are intended to be those consistent with the proper functioning of the part, including its appearance and accepted manufacturing practices.

## INTENDED USE

Blockout PDB02a is used with wood post PDE03 in the SGR09c strong-post thrie-beam guardrail and the SGM09c thrie-beam median barrier. Blockout PDB02b is routed to be used with steel post PWE03 in the SGR09a guardrail and the SGM09a median barrier.

## THRIE-BEAM TIMBER BLOCKOUT

**PDB02a-b**

SHEET NO.

DATE

2 of 2

7/01/2005