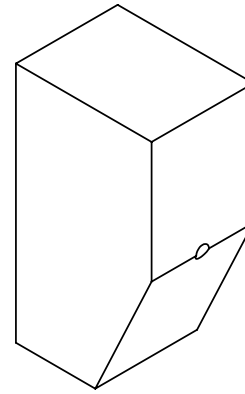
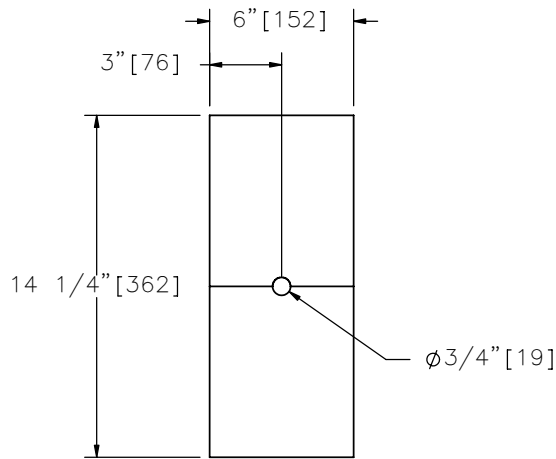


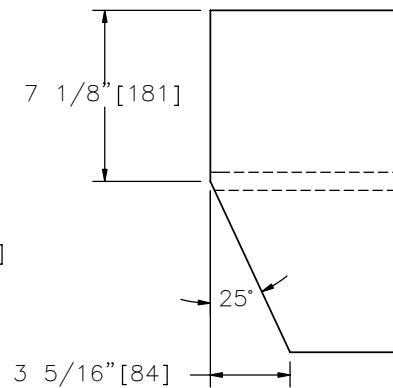
PLAN



ISOMETRIC



ELEVATION



SIDE

W-BEAM TAPERED TIMBER BLOCKOUT FOR TIMBER GUARDRAIL POST



PDB12

SHEET NO.

DATE:

1 of 2

8/31/2007

SPECIFICATIONS

Blockouts shall be made of timber with stress grade of at least 1200 psi [8 MPa]. Grading shall be in accordance with the rules of the West Coast Lumber Inspection Bureau, Southern Pine Inspection Bureau or other appropriate timber association. Minimum of SYP Grade No. 1 or better. Timber for blockouts shall be either rough sawn (un-planed) or S4S (surfaced four sides) with nominal dimensions indicated. The variation in size of blockouts in the direction parallel to the axis of the bolt holes shall not be more than $\pm 1/4$ " [6]. Only one type of surface finish shall be used for posts and blockouts in any one continuous length of guardrail.

All timber shall receive a preservation treatment in accordance with AASHTO M-133 after all end cuts are made and holes are drilled

Dimensions tolerances not shown or implied are intended to be those consistent with the proper functioning of the part, including its appearance and accepted manufacturing practices.

INTENDED USE

This blockout is used with any timber guardrail post in Thrie-Beam Bullnose End Terminal (SET03).

CONTACT INFORMATION

Midwest Roadside Safety Facility
E527 Nebraska Hall
Lincoln, NE 68588-0529
(402) 472-0965
Email: mwrsf@unl.edu
Website: <http://mwrsf.unl.edu/>



W-BEAM TAPERED TIMBER BLOCKOUT FOR TIMBER GUARDRAIL POST

PDB12

SHEET NO.

DATE:

2 of 2

07/14/2006

