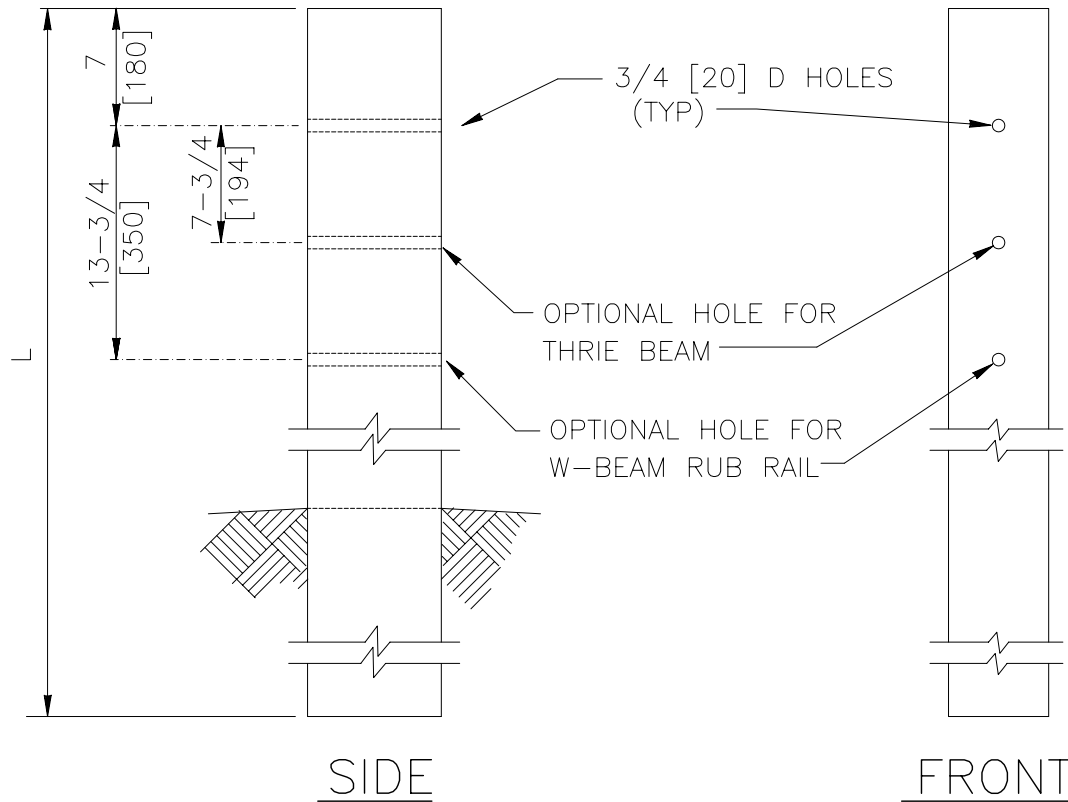


PLAN



SIDE

FRONT

DESIGNATOR	L	W	D
PDE01	64 [1625]	6 [150]	7-7/8 [200]
PDE02	72 [1830]	6 [150]	7-7/8 [200]
PDE03	78 [1980]	6 [150]	7-7/8 [200]
PDE04	81 [2060]	6 [150]	7-7/8 [200]
PDE05	72 [1830]	7-7/8 [200]	7-7/8 [200]
PDE06	78 [1980]	7-7/8 [200]	7-7/8 [200]
PDE07	72 [1830]	9-7/8 [250]	9-7/8 [250]
PDE08	78 [1980]	9-7/8 [250]	9-7/8 [250]

1994

TIMBER GUARDRAIL POST

PDE01-08

SHEET NO.

DATE:

1 of 2

6/28/2005

SPECIFICATIONS

Posts shall be made of timber with a stress grade of at least 1160 psi [8 MPa]. Stress grading shall be in accordance with the rules of the West Coast Lumber Inspection Bureau, Southern Pine Inspection Bureau, or other appropriate timber association. Timber for posts shall be either rough-sawn (unplaned) or S4S (surfaced four sides) with nominal dimensions indicated. The size tolerance of posts in the direction parallel to the axis of the bolt holes shall not be more than $\pm \frac{1}{4}$ inch [6 mm]. Only one type of surface finish shall be used for posts and blockouts in any one continuous length of guardrail.

All timber shall receive a preservation treatment in accordance with AASHTO M 133 after all end cuts are made and holes are drilled.

Inertial properties shown below are based on the nominal dimensions shown.

Designator	Area	I_x	I_y	S_x	S_y
	in ² [10 ³ mm ²]	in ⁴ [10 ⁶ mm ⁴]	in ⁴ [10 ⁶ mm ⁴]	in ³ [10 ³ mm ³]	in ³ [10 ³ mm ³]
PDE01-02	46.5 [30]	240.2 [100]	134.5 [56]	61.0 [1000]	45.8 [750]
PDE03-04	62.0 [40]	319.5 [133]	319.5 [133]	81.3 [1333]	81.3 [1333]
PDE05-06	77.5 [50]	624.6 [260]	401.2 [167]	127.1 [2083]	101.7 [1667]
PDE07-08	97.6 [63]	783.2 [326]	783.2 [326]	158.9 [2604]	158.9 [2604]

Dimensional tolerances not shown or implied are intended to be those consistent with the proper functioning of the part, including its appearance and accepted manufacturing practices.

INTENDED USE

These posts are used in a variety of strong-post W-beam and thrie-beam systems, including the SGR04b, SGR04c, and SGR09c guardrails and the SGM04b and SGM09c median barriers.

TIMBER GUARDRAIL POST

PDE01-08

SHEET NO.

DATE

2 of 2

7/06/2005