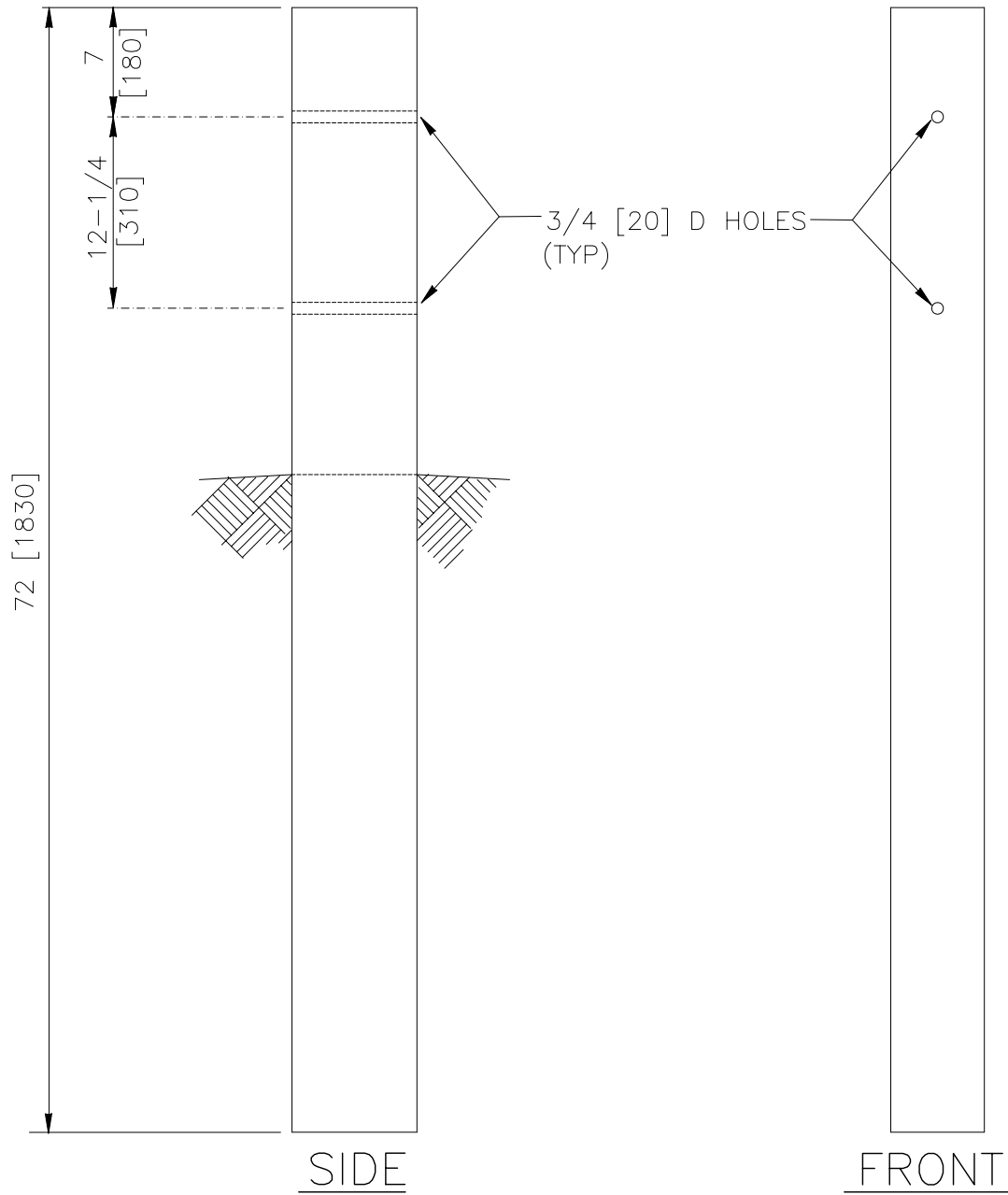


PLAN



1994

TIMBER MEDIAN BARRIER POST

PDE15

SHEET NO.

DATE:

1 of 2

7/25/2005

SPECIFICATIONS

Posts shall be made of timber with a stress grade of at least 1160 psi [8 MPa]. Stress grading shall be in accordance with the rules of the West Coast Lumber Inspection Bureau, Southern Pine Inspection Bureau, or other appropriate timber association. Timber for posts shall be either rough-sawn (unplaned) or S4S (surfaced four sides) with nominal dimensions indicated. The size tolerance of posts in the direction parallel to the axis of the bolt holes shall not be more than $\pm \frac{1}{4}$ inch [6 mm]. Only one type of surface finish shall be used for posts and blockouts in any one continuous length of guardrail.

All timber shall receive a preservation treatment in accordance with AASHTO M 133 after all end cuts are made and holes are drilled.

Inertial properties shown below are based on the nominal dimensions shown.

Designator	Area in ² [10 ³ mm ²]	I _x in ⁴ [10 ⁶ mm ⁴]	I _y in ⁴ [10 ⁶ mm ⁴]	S _x in ³ [10 ³ mm ³]	S _y in ³ [10 ³ mm ³]
PDE15	46.5 [30]	240.2 [100]	134.5 [56]	61.0 [1000]	45.8 [750]

Dimensional tolerances not shown or implied are intended to be those consistent with the proper functioning of the part, including its appearance and accepted manufacturing practices.

INTENDED USE

This post is used in the SGM06b strong-post median barrier. The PDB01a timber blockout is attached to the RWM02a guardrail and post using an FBB05 bolt and nut. The RER01 or RLR01 rub rail is attached using an FBB04 bolt.

TIMBER MEDIAN BARRIER POST

PDE15

SHEET NO.

DATE

2 of 2

7/25/2005