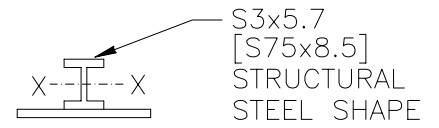
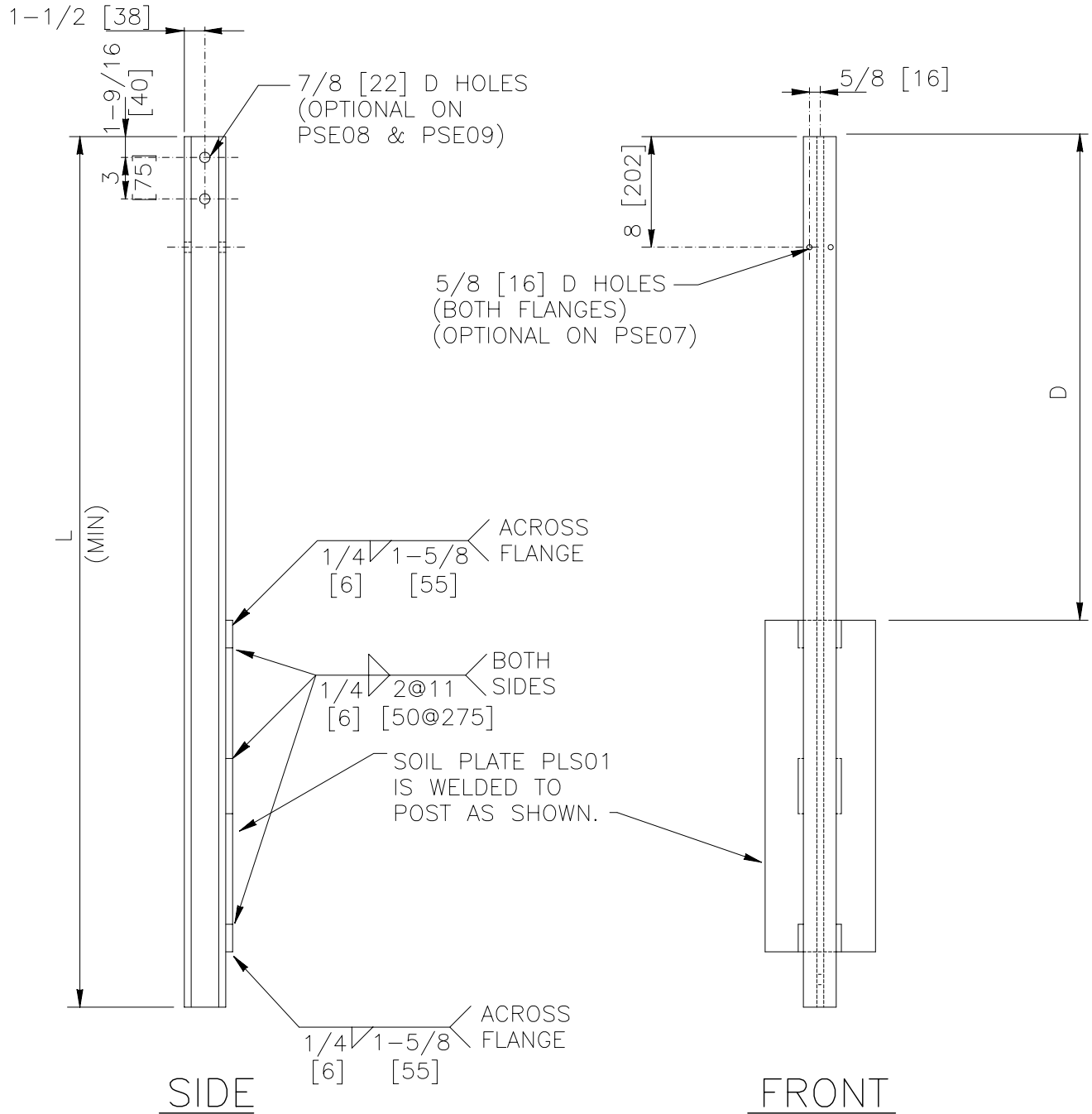


DESIGNATOR	L	D
PSE07	54 [1365]	26 [655]
PSE08	63 [1600]	35 [900]
PSE09	34 [860]	3-3/4 [95]



PLAN



1994

WEAK POST BOX BEAM POST & WELDED SOIL PLATE

PSE07-09

SHEET NO.	DATE:
1 of 2	8/03/2005

## SPECIFICATIONS

This post shall be manufactured using steel conforming to AASHTO M 183/M 183M (ASTM A 36/A 36M). The section shall be manufactured such that it conforms to the geometry and tolerances of AASHTO M 160/M 160M (ASTM A 6/A 6M) for an S3x5.7 [S75x8.5] S-section. After all punching, drilling, stamping and welding is complete, the section shall be galvanized according to AASHTO M 111 (ASTM A 123). If corrosion-resistant hardware is required, AASHTO M 222/ M 222M (ASTM A 588/A 588M) steel shall be used and the embedded portion of the post shall be galvanized according to AASHTO M 111 (ASTM A 123). All holes shall be punched through both flanges (in-line). All welding shall conform to ANSI/AASHTO/AWS D1.5.

Designator	Area (in <sup>2</sup> ) [10 <sup>3</sup> mm <sup>2</sup> ]	I <sub>x</sub> (in <sup>4</sup> ) [10 <sup>6</sup> mm <sup>4</sup> ]	I <sub>y</sub> (in <sup>4</sup> ) [10 <sup>6</sup> mm <sup>4</sup> ]	S <sub>x</sub> (in <sup>3</sup> ) [10 <sup>3</sup> mm <sup>3</sup> ]	S <sub>y</sub> (in <sup>3</sup> ) [10 <sup>3</sup> mm <sup>3</sup> ]
PSE07-09	1.67 [1.1]	2.52 [1.1]	0.455 [0.2]	1.68 [28]	0.39 [6]

Dimensional tolerances not shown or implied are intended to be those consistent with the proper functioning of the part, including its appearance and accepted manufacturing practices.

## INTENDED USE

Post PSE07 is the main post element in the SGM03 box beam median barrier. Rail support bracket FPP04 is attached to the post using two FBX20a bolts and nuts.

Post PSE08 is the main post element in the SGR03 box beam guardrail. Bracket FPP01 is attached to the post using an FBX12a bolt and nut. The bracket supports rail element RBM01.

Post PSE09 is a component of the SEB02 box beam median barrier terminal. Rail support FPP04 is used to support rail RBM13.

## WEAK-POST BOX BEAM POST & WELDED SOIL PLATE

**PSE07-09**

SHEET NO.

DATE

2 of 2

7/18/2005