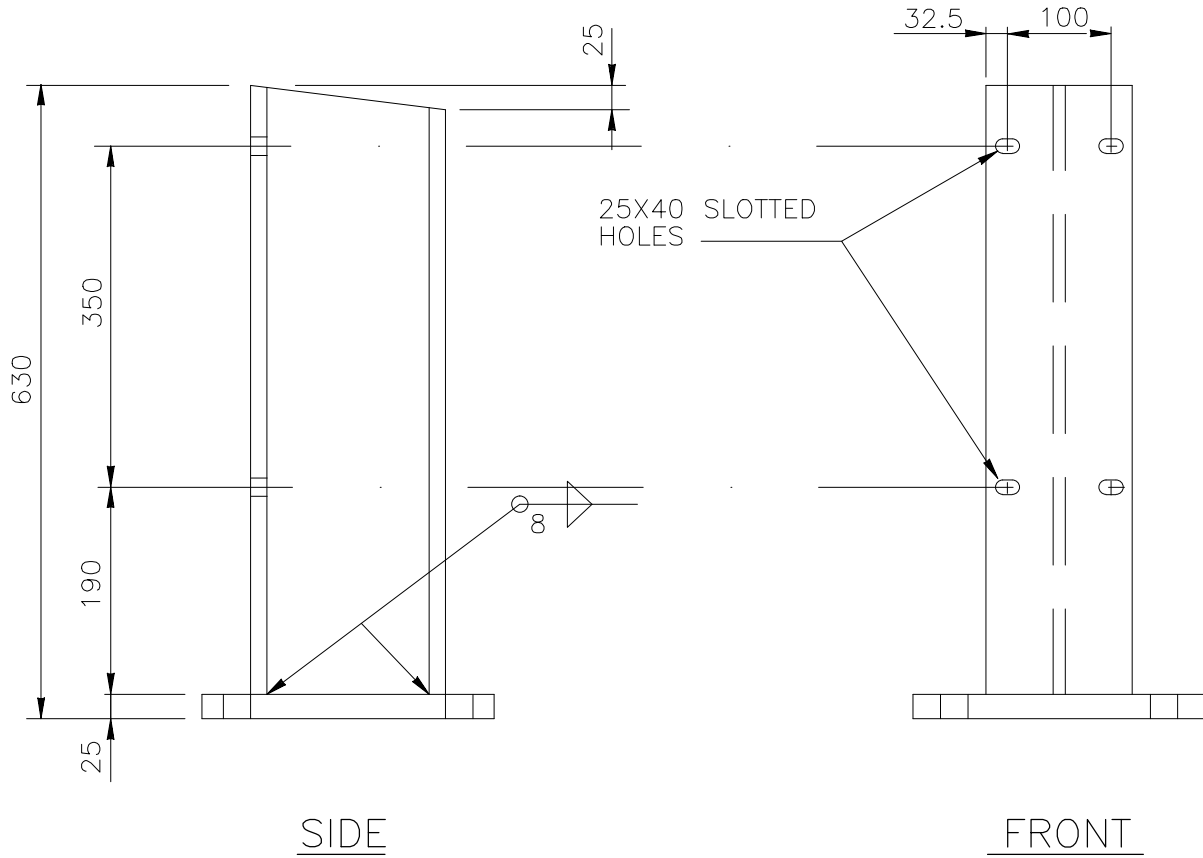
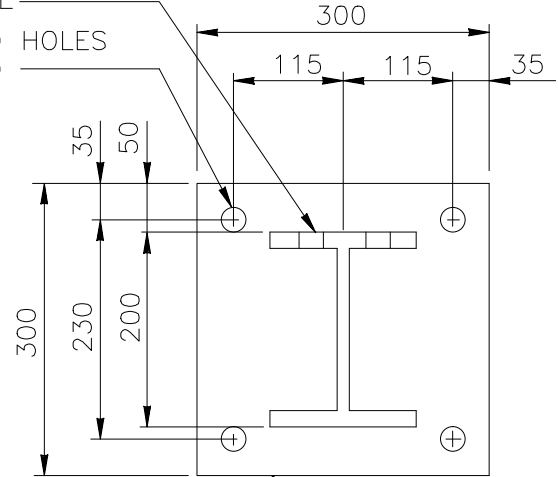


W200x35.9
STRUCTURAL
SHAPE

28 D HOLES
(TYP)



1994

DECK MOUNTED BRIDGE RAIL POST

PWF02

SHEET NO.

REF. NO.

1 of 2