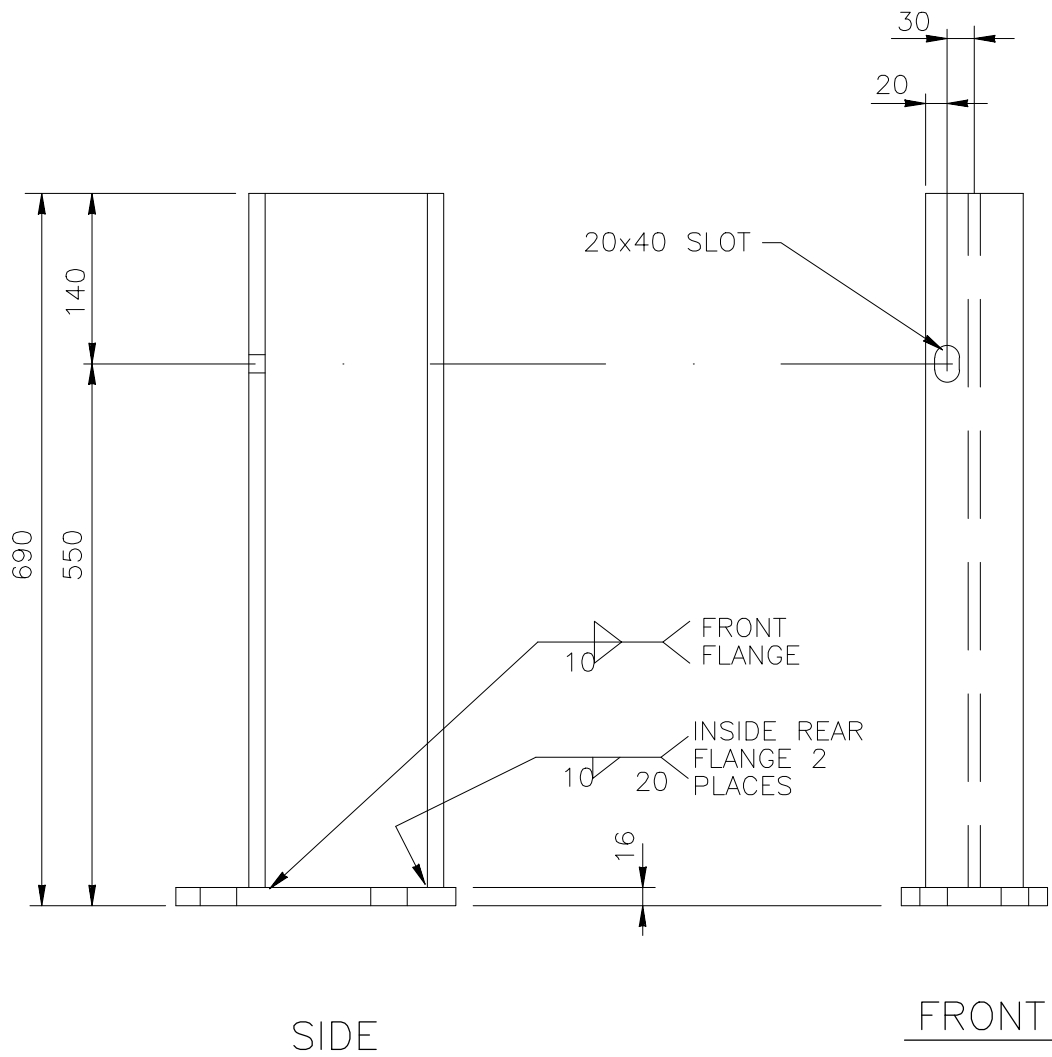
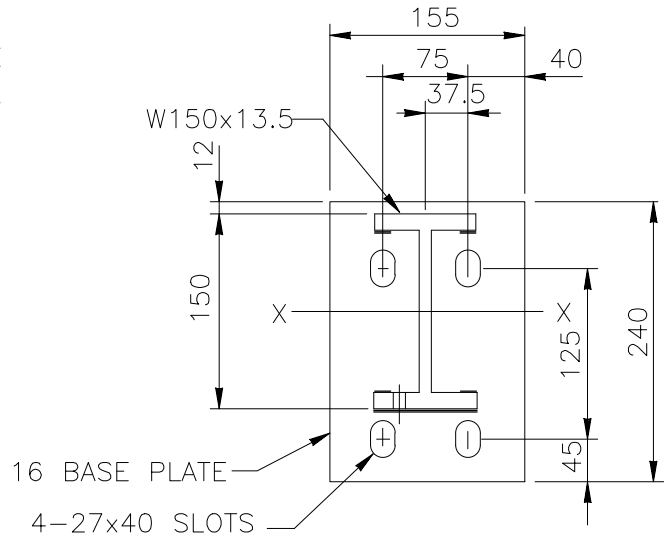


NOTE: THIS POST IS DESIGNED TO BREAK AWAY FROM THE BASE PLATE SO THE WEB OF THE POST MUST NOT BE WELDED TO THE BASE PLATE



1994

DECK MOUNTED BRIDGE RAILING POST

PWF06

SHEET NO.

REF. NO.

1 of 2