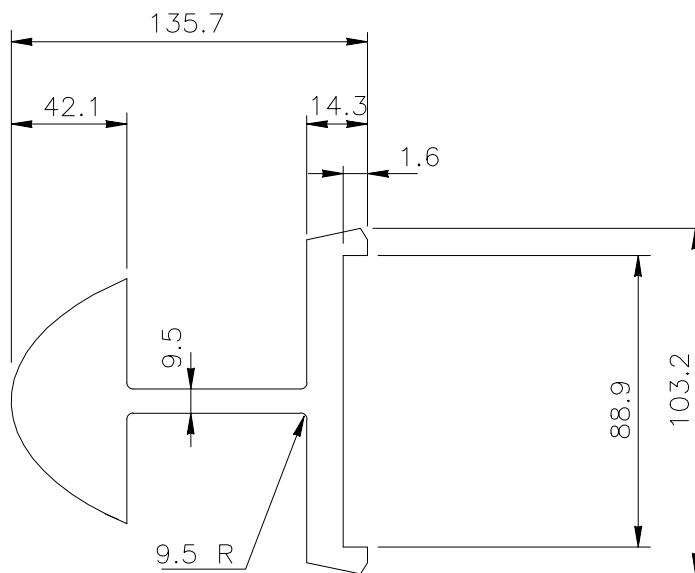


ELEVATION



1973

LARGE SEMI-ELLIPTICAL ALUMINUM RAIL SPLICE

RAS07

SHEET NO.

REF. NO.

1 of 2

A.7.2