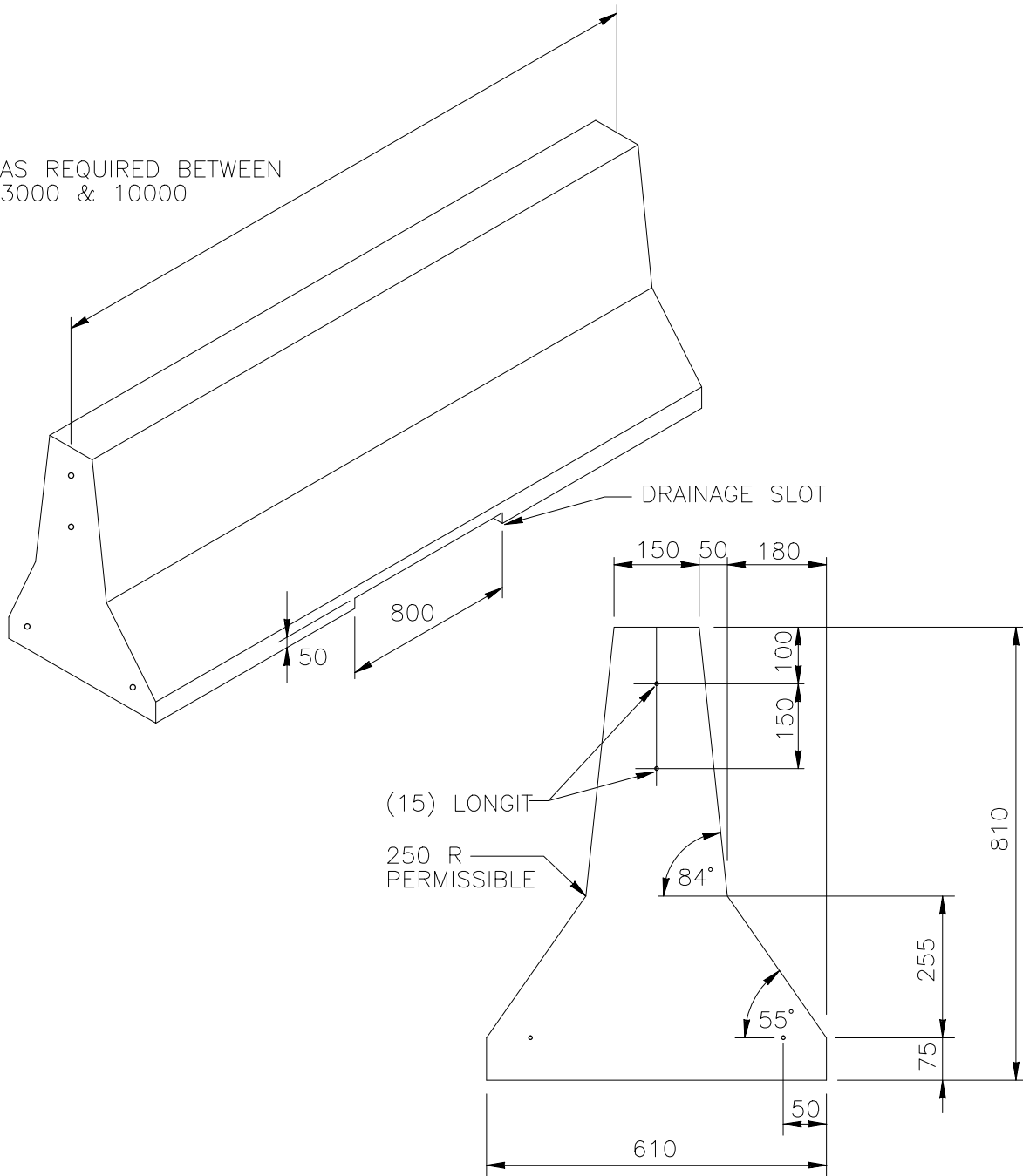


- NOTE:
1. A CORNER RADIUS OF 25 IS PERMISSIBLE ON ALL EDGES UNLESS NOTED OTHERWISE.
 2. EMBED A SUITABLE CONNECTOR INTO THE CONCRETE AT EACH END.

AS REQUIRED BETWEEN
3000 & 10000



CROSS-SECTION

SAFETY SHAPE PORTABLE CONCRETE BARRIER

ROM01

SHEET NO.

REF. NO.

1 of 2

PCB-8-88