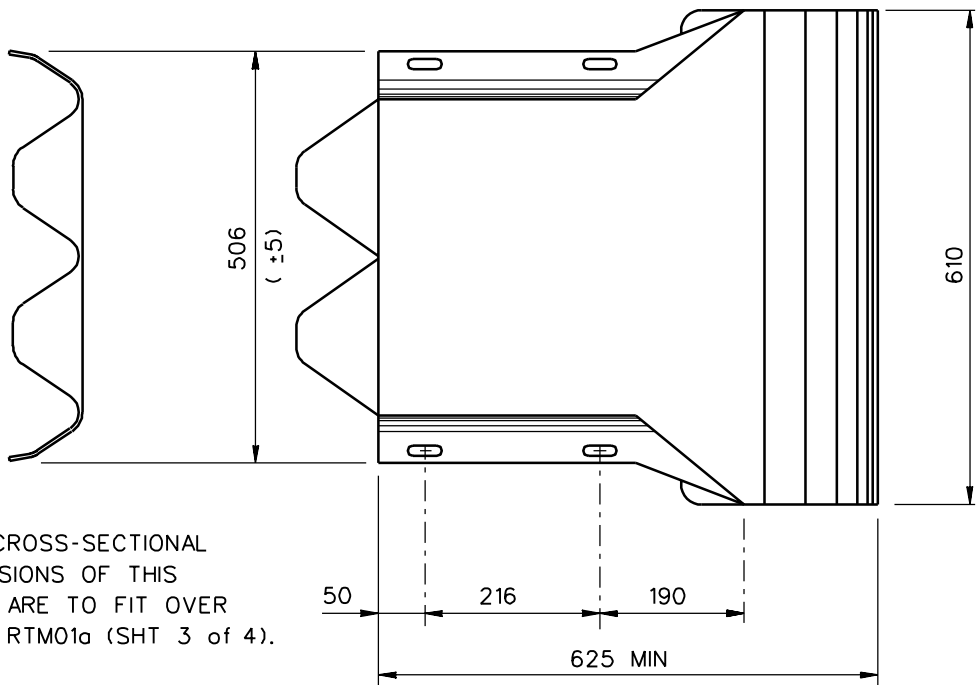
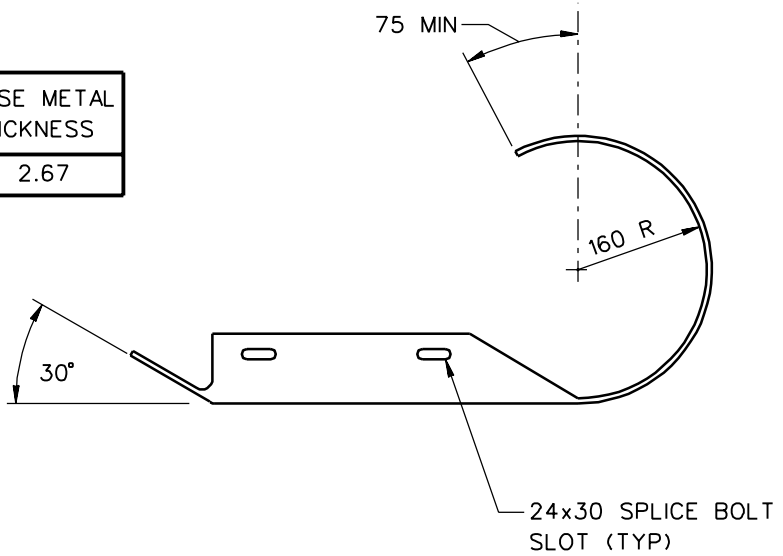


DESIGNATOR	BASE METAL THICKNESS
RTE02 $\alpha$	2.67



THE CROSS-SECTIONAL DIMENSIONS OF THIS PART ARE TO FIT OVER PART RTM01 $\alpha$  (SHT 3 of 4).

1994

## THRIE-BEAM END SECTION (ROUNDED)

# RTE02 $\alpha$

SHEET NO.	REF. NO.
1 of 2	RE-65-79

### **SPECIFICATIONS**

RTE02a Rounded Thrie-Beam End Sections shall conform to the current requirements of AASHTO M180 Class A. Corrosion protection may be either Type II (zinc-coated) or Type IV (corrosion resistant steel). Type IV end sections shall be manufactured using AASHTO M270M (ASTM A709M) Grade 50W material and shall not be zinc-coated, painted or otherwise coated.

Dimensional tolerances not shown or implied are intended to be those consistent with the proper functioning of the part, including its appearance and accepted manufacturing practices.

### **INTENDED USE**

RTE02a rounded end sections are used in thrie-beam guardrail systems.

### **THRIE-BEAM END SECTION (ROUNDED)**

**RTE02a**

SHEET NO.

DATE

2 of 2

1995