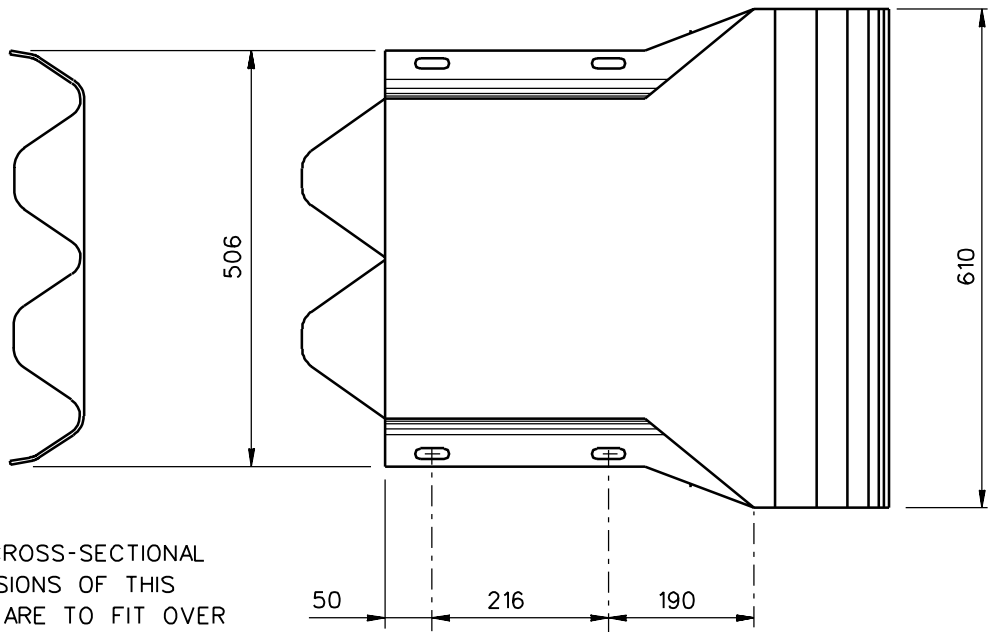
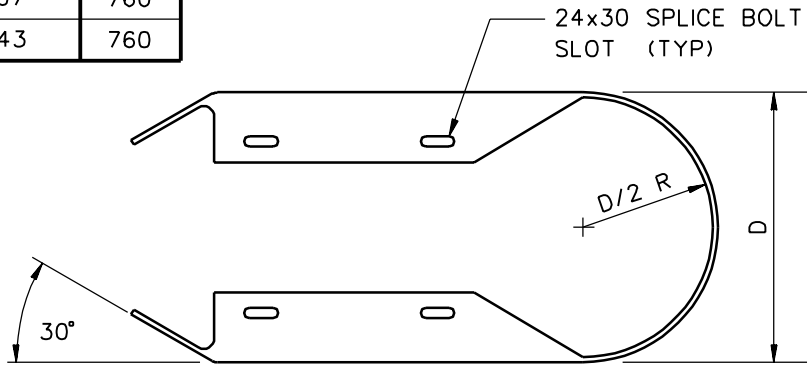


DESIGNATOR	BASE METAL THICKNESS	D
RTE03a	2.67	610
RTE03b	3.43	610
RTE04a	2.67	760
RTE04b	3.43	760



THE CROSS-SECTIONAL DIMENSIONS OF THIS PART ARE TO FIT OVER PART RTM01a (SHT 3 of 4).

1994

THREE-BEAM END SECTION (BUFFER)

RTE03a-04b

SHEET NO.	REF. NO.
1 of 2	RE-66-79

SPECIFICATIONS

Buffered Thrie-Beam End Sections shall conform to the current requirements of AASHTO M180. RTE03a and RTE04a shall conform to Class A and RTE03b and RTE04b shall conform to Class B. Corrosion protection may be either Type II (zinc-coated) or Type IV (corrosion resistant steel). Type IV end sections shall be manufactured using AASHTO M270M (ASTM A709M) Grade 50W material and shall not be zinc-coated, painted or otherwise coated.

Dimensional tolerances not shown or implied are intended to be those consistent with the proper functioning of the part, including its appearance and accepted manufacturing practices.

INTENDED USE

RTE03a-04b buffered end sections are used in thrie-beam guardrail systems.

THRIE-BEAM END SECTION (BUFFER)

RTE03a-04b

SHEET NO.

DATE

2 of 2

1995