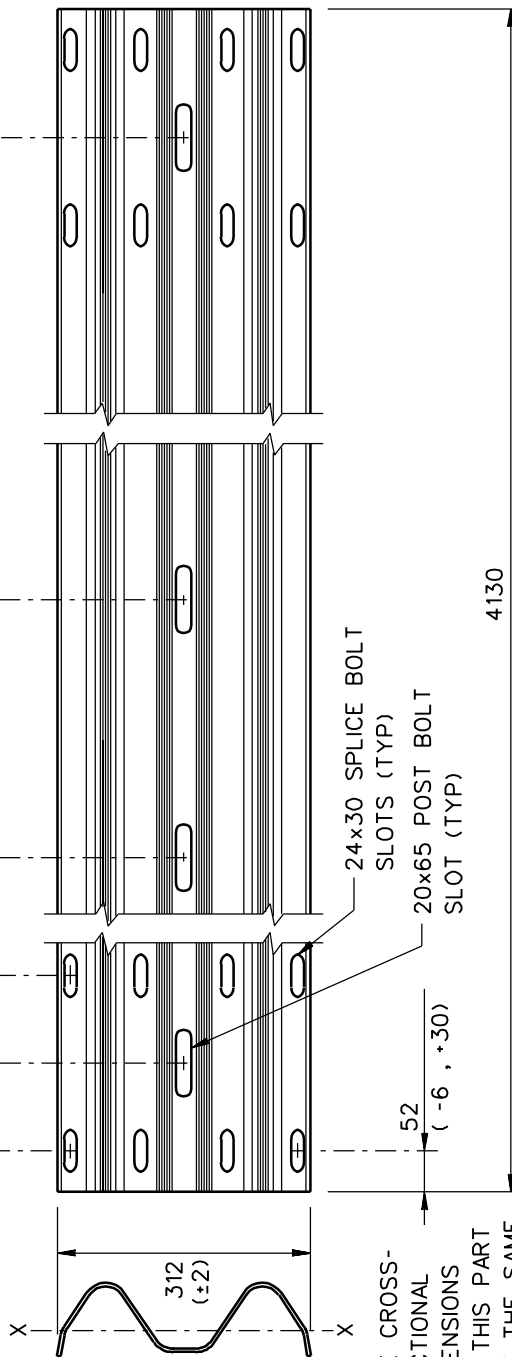


DESIGNATOR	BASE METAL THICKNESS
RWM03a	2.67
RWM03b	3.43

3 EQUAL POST HOLE SPACINGS @ 1270 EA

216
108
108

1270
(TYP)



THE CROSS-SECTIONAL DIMENSIONS OF THIS PART ARE THE SAME AS PART RWM02a (SHT 3 of 4).

1994

3-SPACE W-BEAM GUARDRAIL

RWM03a-b

SHEET NO.	REF. NO.
1 of 2	RE-3-73

SPECIFICATIONS

Corrugated sheet steel beams shall conform to the current requirements of AASHTO M180. The section shall be manufactured from sheets with a nominal width of 483 mm. Guardrail RWM03a shall conform to AASHTO M180 Class A and RWM03b shall conform to Class B. Corrosion protection may be either Type II (zinc-coated) or Type IV (corrosion resistant steel). Type IV guardrails shall be manufactured using AASHTO M270M (ASTM A709M) Grade 50W material and shall not be zinc-coated, painted or otherwise coated. Inertial properties are calculated for the whole cross-section without a reduction for the splice bolt holes.

Designator	Area (10^3 mm^2)	I_x (10^6 mm^4)	I_y (10^6 mm^4)	S_x (10^3 mm^3)	S_y (10^3 mm^3)
RWM03a	1.3	1.0	--	23	--
RWM03b	1.7	1.3	--	29	--

Dimensional tolerances not shown or implied are intended to be those consistent with the proper functioning of the part, including its appearance and accepted manufacturing practices.

INTENDED USE

RWM03a-b guardrail beams are used in various W-beam guardrail systems.

3-SPACE W-BEAM GUARDRAIL

RWM03a-b

SHEET NO.

DATE

2 of 2

1995