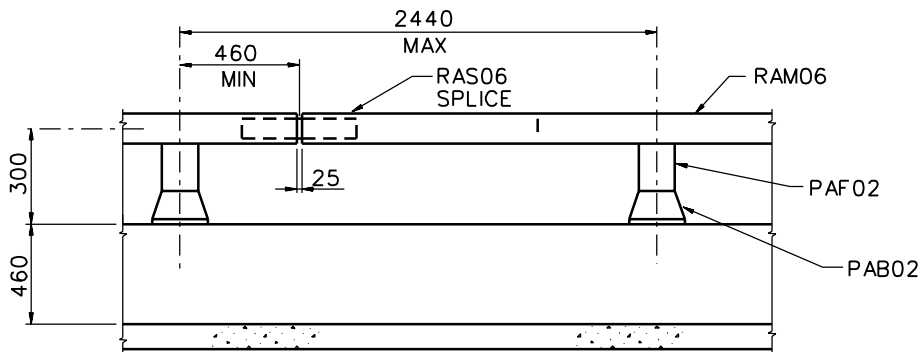
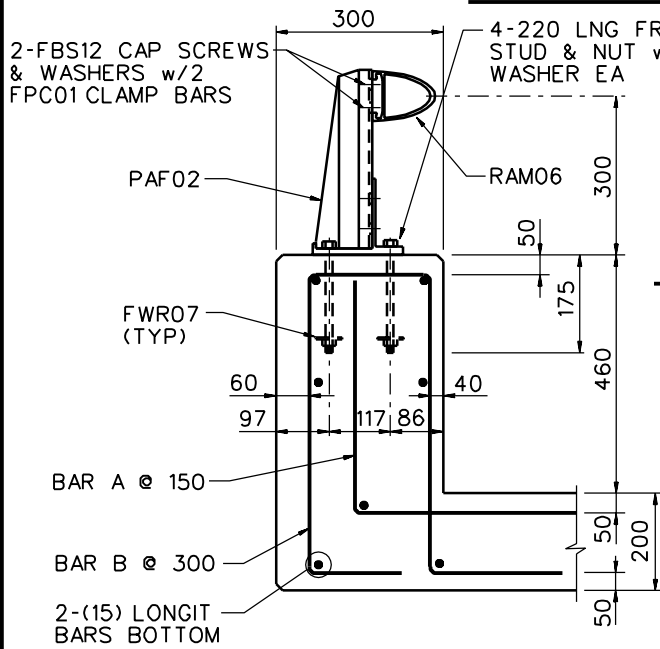


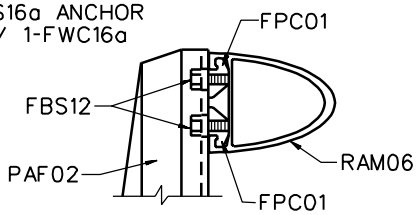
PLAN



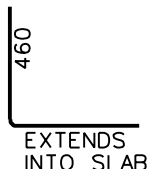
ELEVATION



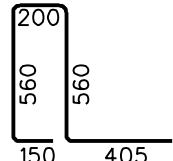
SECTION



RAIL ATTACHMENT DETAIL



BAR A (15)



BAR B (15)

BR1 TYPE C ALUMINUM BRIDGE RAILING

SBA03a

SHEET NO.	REF. NO.
1 of 2	