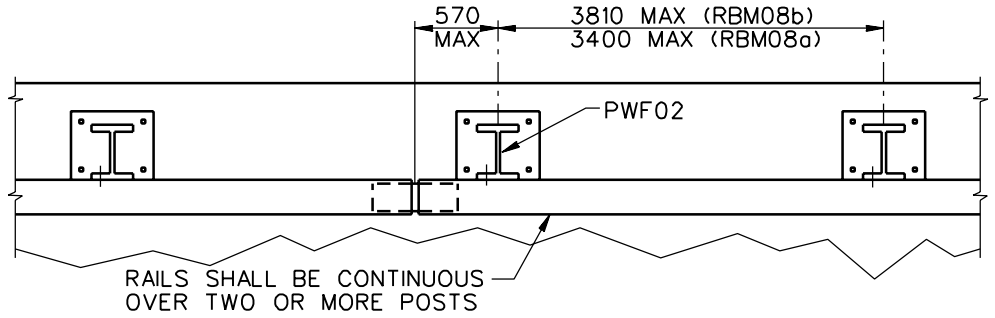


1994

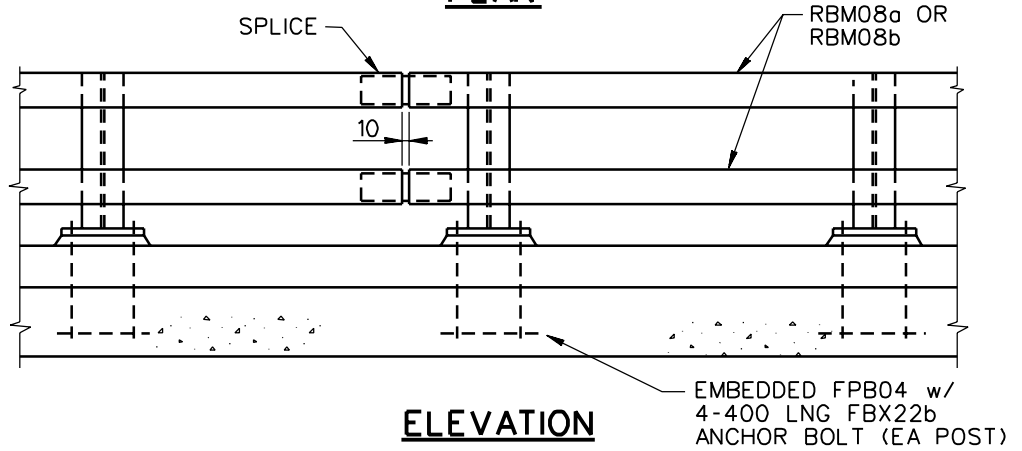
2-TUBE CURB-MOUNTED BRIDGE RAILING

SBB01a

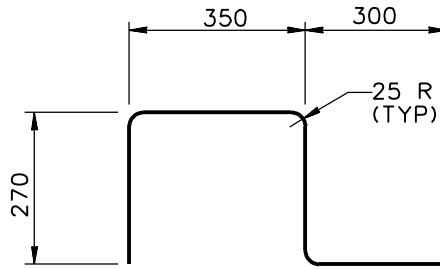
SHEET NO.	REF. NO.
1 of 4	



PLAN



ELEVATION



BAR A (15)

1994

2-TUBE CURB-MOUNTED BRIDGE RAILING

SBB01a

SHEET NO.	REF. NO.
3 of 4	