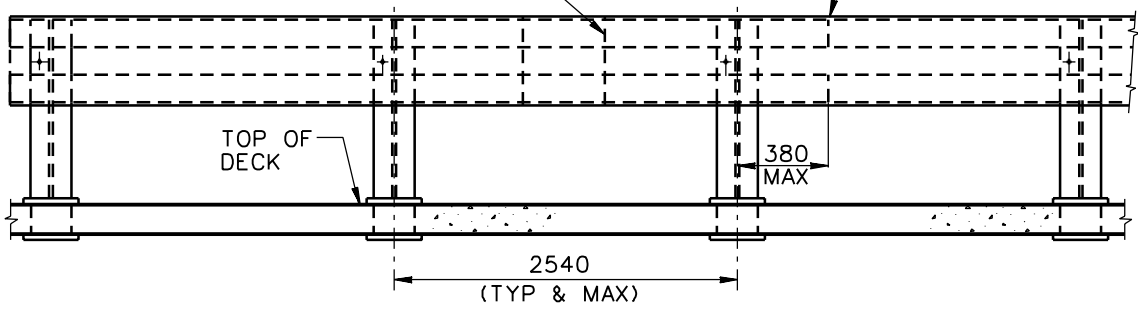


PLAN

REGULAR SPLICE w/8-FBB01 BOLT & NUT FOR 3810 LNG RWM02a ONLY

TUBE JOINT



TOP OF DECK

380 MAX

2540
(TYP & MAX)

ELEVATION

FMM03 SPACER WITH FBB03 TRIMMED TO 120 BOLT & NUT, 2-FWC24a WASHER EA END OF FMM03 & FWC16a UNDER NUT OF FBB03

RBM07a-c

FBX16a x 100 LNG BOLT & NUT w/ FWC16a WASHER

PWF04

RWM02a

30

76

140

550

FPB06

65

200 MIN

FPB10

115

4-FBX20b BOLT & NUT w/ 2-FWC20b WASHERS UNDER EA NUT

SECTION

1994

W AND TUBE BEAM BRIDGE RAILING

SBB02a

SHEET NO.	REF. NO.
1 of 2	