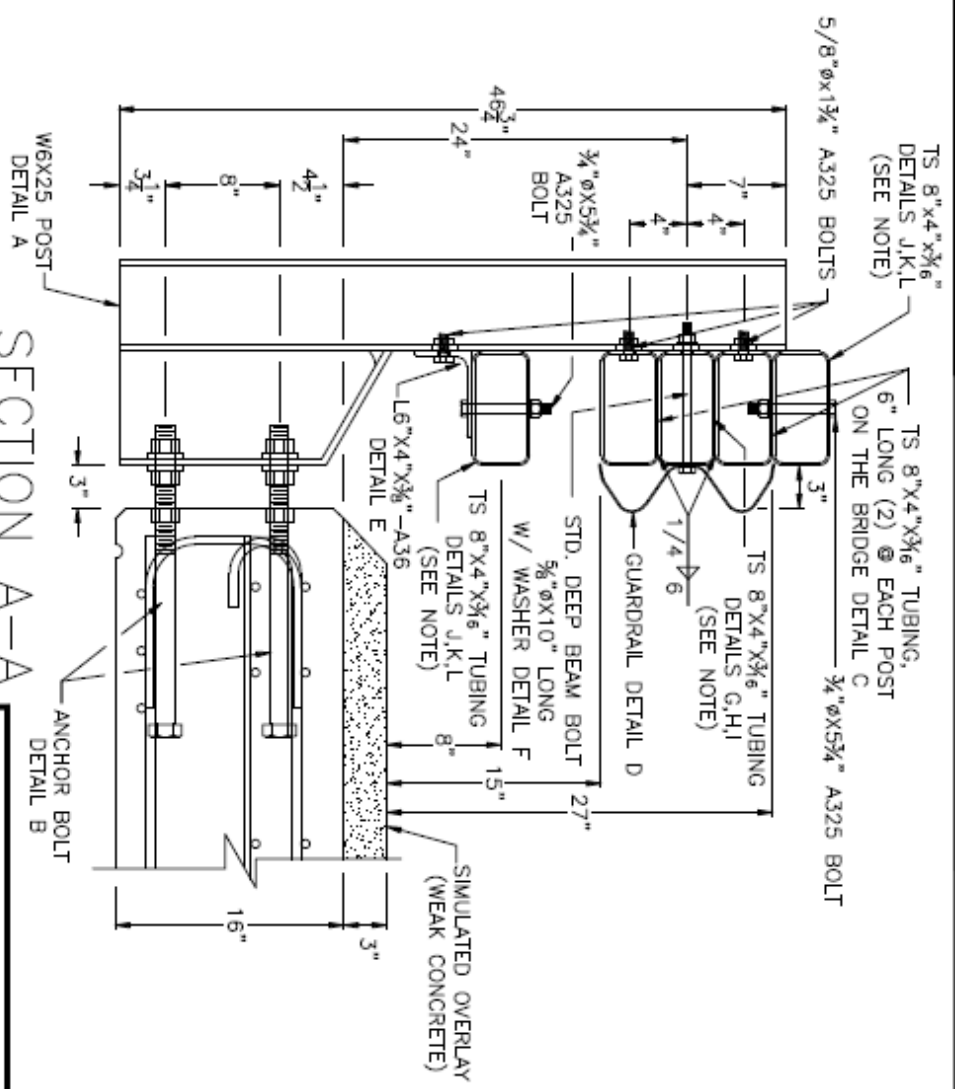


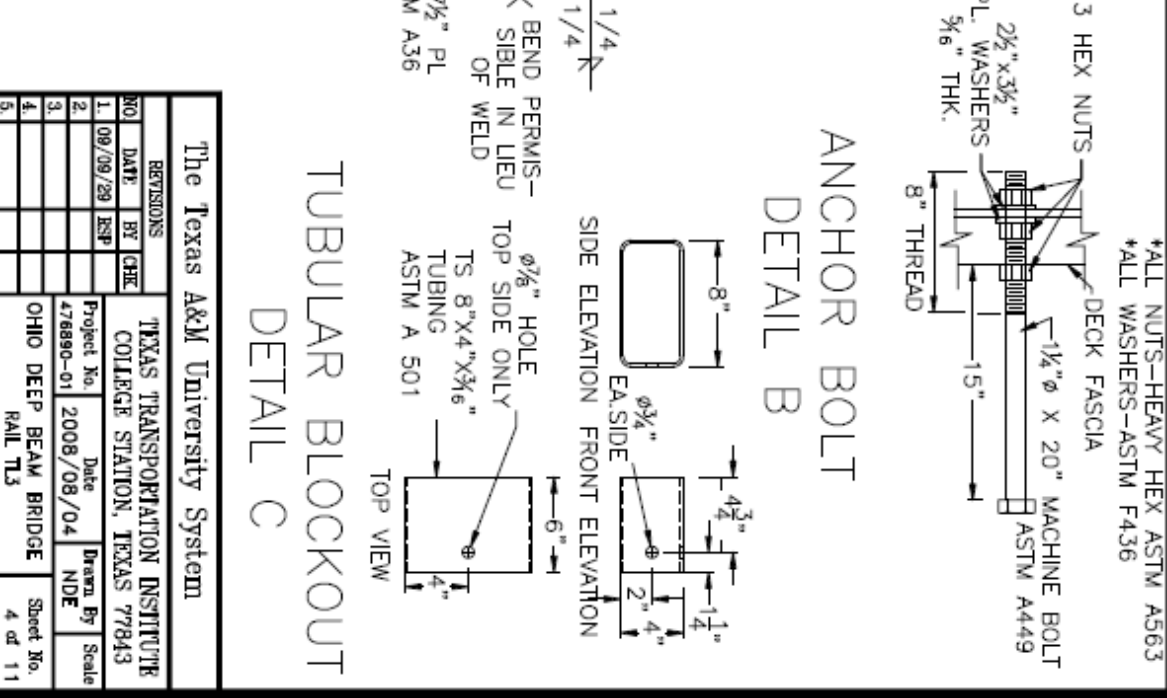
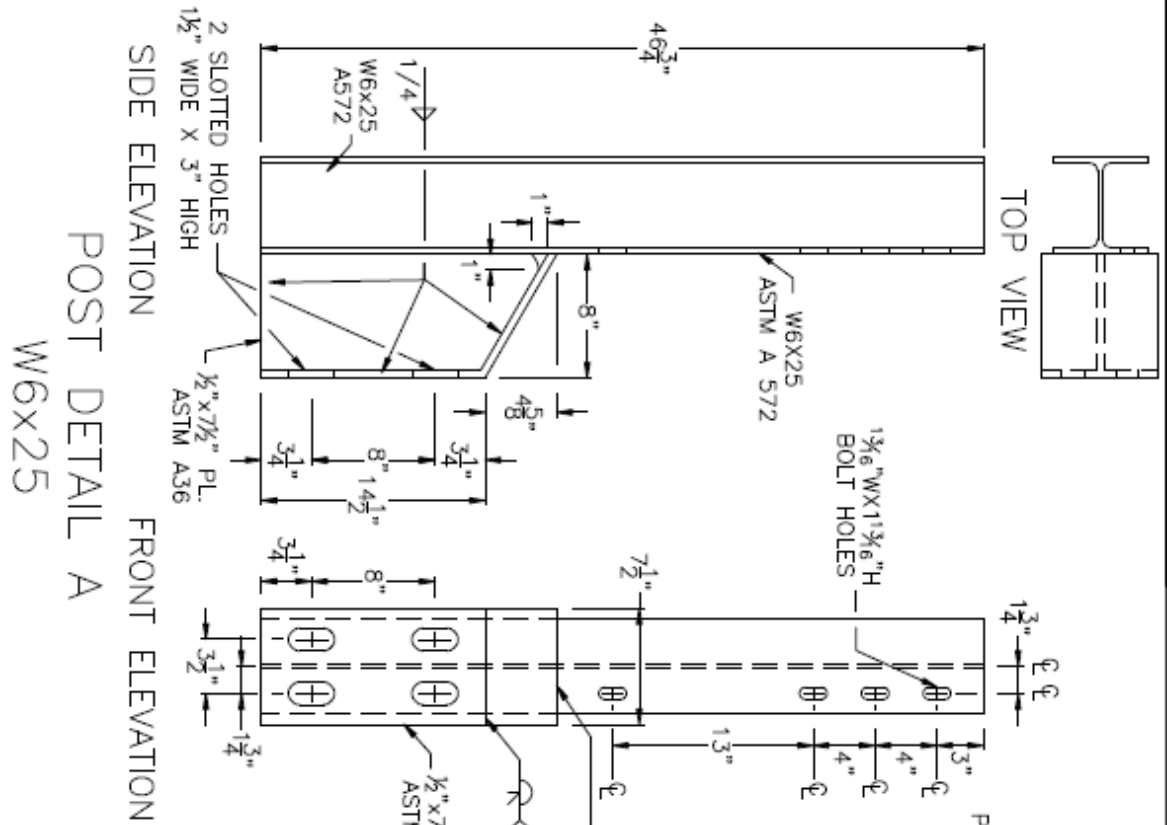
NOTE: DETAIL G&J—RIGHT END RAIL
 DETAIL H&K—CENTER RAIL
 DETAIL I&L—LEFT END RAIL
 ALL NUTS TO BE HEAVY HEX ASTM A563
 ALL WASHERS TO BE ASTM F436

SECTION A-A



The Texas A&M University System			
TEXAS TRANSPORTATION INSTITUTE			
COLLEGE STATION, TEXAS 77843			
NO	DATE	BY	CHK
1	09/09/09	RSP	
2			
3			
4			
5			
Project No.		Date	Drawn By
476890-01		2008/08/04	NDE
OHIO DEEP BEAM BRIDGE		Scale	Sheet No.
RAIL TL3			3 of 11

Feb 24, 2010 - 3:49pm



*ALL NUTS-HEAVY HEX ASTM A563
 *ALL WASHERS-ASTM F436

The Texas A&M University System			
TEXAS TRANSPORTATION INSTITUTE			
COLLEGE STATION, TEXAS 77843			
NO	DATE	BY	CHK
1	08/09/29	ESP	
2			
3			
4			
5			
Project No.		Date	
476890-01		2008/08/04	
Drawn By		Scale	
NDE			
OHIO DEEP BEAM BRIDGE			Sheet No.
RAIL TL3			4 of 11

Feb 24, 2010 - 3:49pm