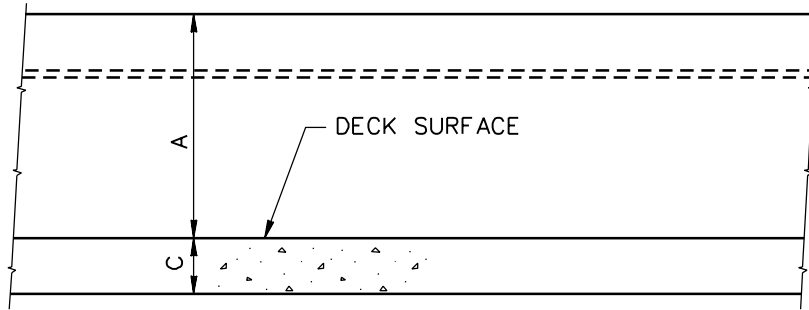
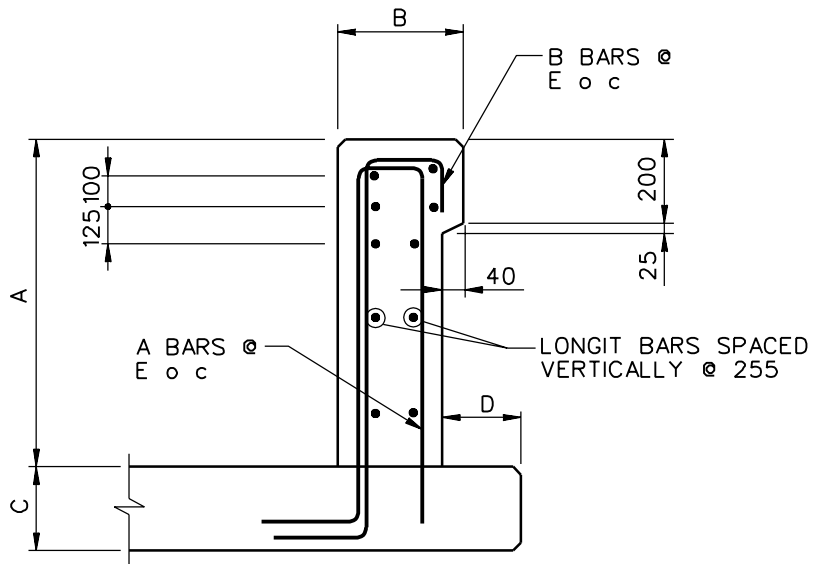


- NOTE:**
1. USE 40 COVER THROUGHOUT.
 2. A AND B BARS SHOULD ALTERNATE.



ELEVATION



SECTION

SYSTEM	A	B	C MIN	D	E	LONGIT BAR SIZE	NO. LONGIT BAR
SBC01a	710	220	200	65	200	10	4
SBC01b	810	255	200	75	200	15	8
SBC01c	1070	305	255	200	300	25	10

1994

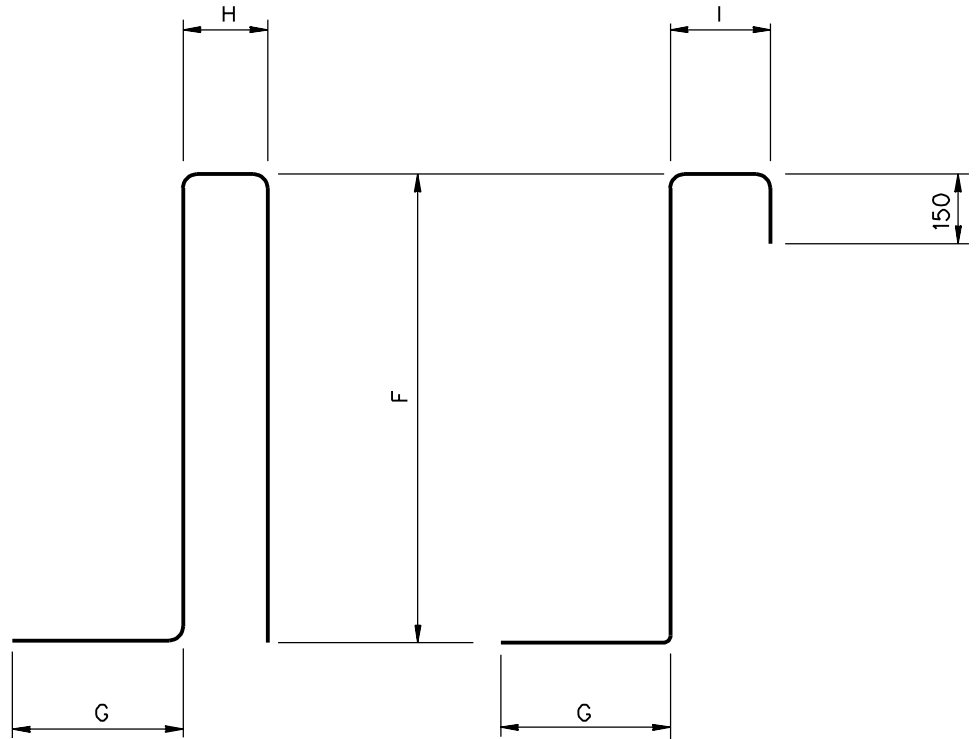
VERTICAL - WALL BRIDGE RAILING

SBC01a-c

SHEET NO. REF. NO.

1 of 4

SYSTEM	F	G	H	I
BC01a	600	255	100	140
BC01b	955	255	130	180
BC01c	1220	370	180	230



BAR A (15)

BAR B (15)

1994

VERTICAL-WALL BRIDGE RAILING

SBC01a-c

SHEET NO.

REF. NO.

3 of 4