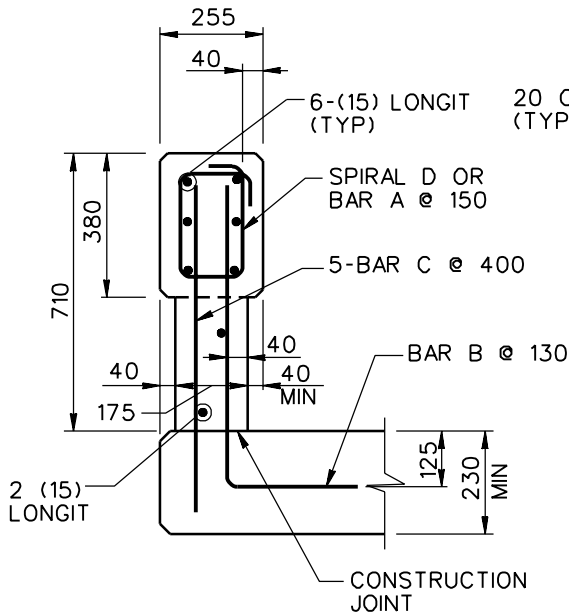
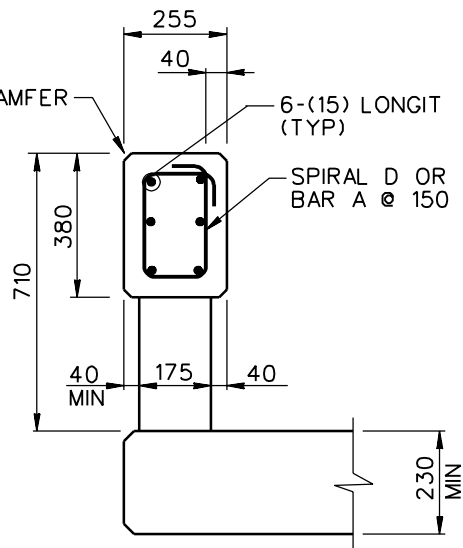


ELEVATION



SECTION THRU POST



SECTION THRU RAIL

1994

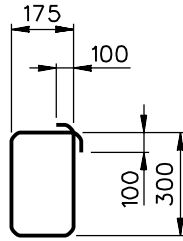
OPEN-PROFILE CONCRETE BRIDGE RAILING

SBC02a

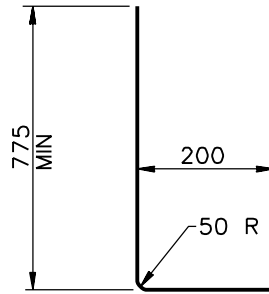
SHEET NO.

REF. NO.

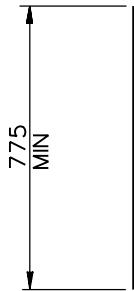
1 of 4



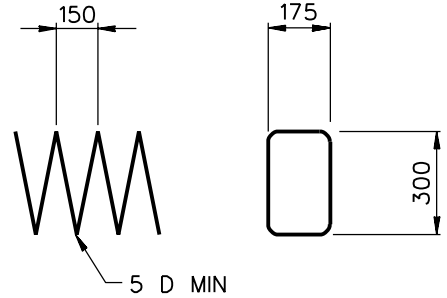
BAR A (10)



BAR B (15)



BAR C (15)



SPIRAL D (10)

1994

OPEN-PROFILE CONCRETE BRIDGE RAILING

SBC02a

SHEET NO.	REF. NO.
3 of 4	