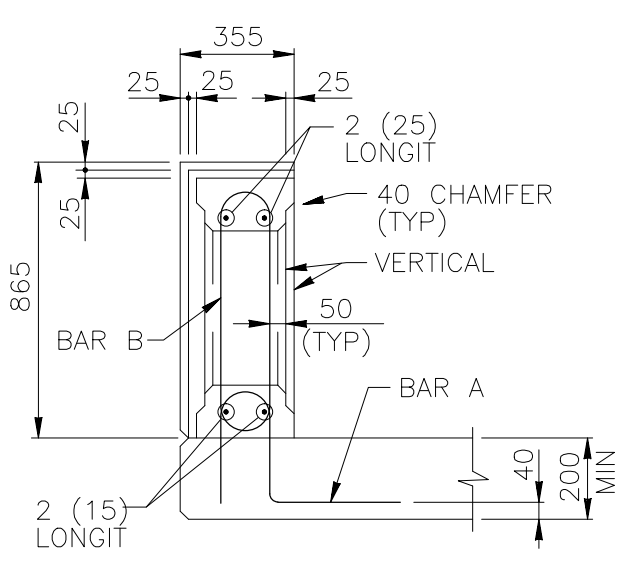
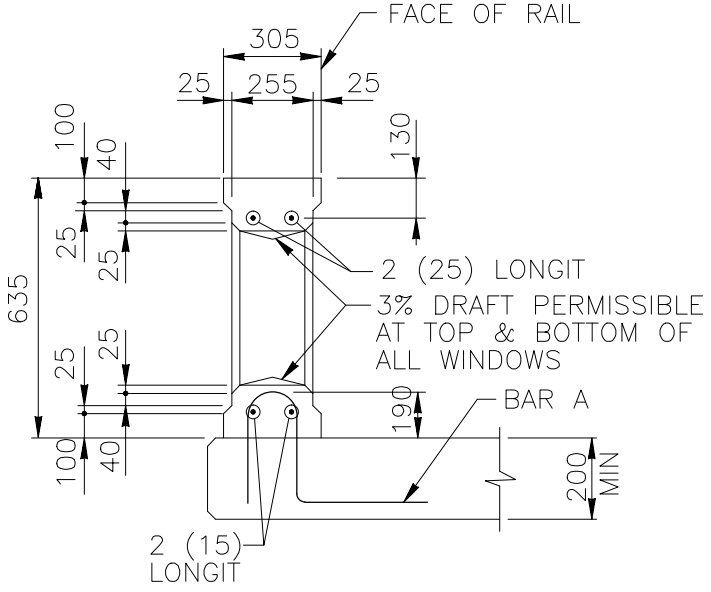


ELEVATION



SECTION THRU POST



SECTION THRU WINDOW

1994

AESTHETIC BALUSTRADE BRIDGE RAILING

SBC03a

| | |
|-----------|----------|
| SHEET NO. | REF. NO. |
| 1 of 4 | |