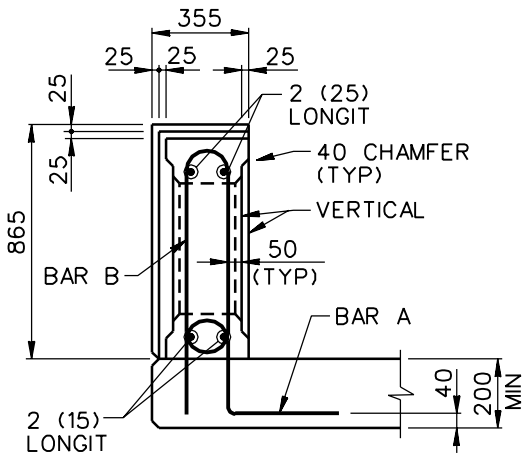
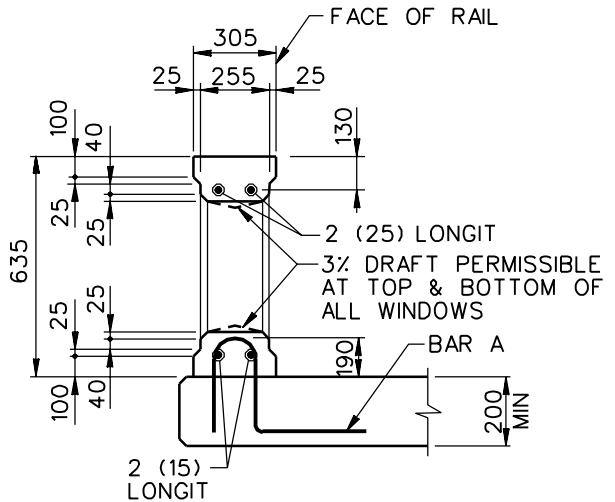


ELEVATION



SECTION THRU POST



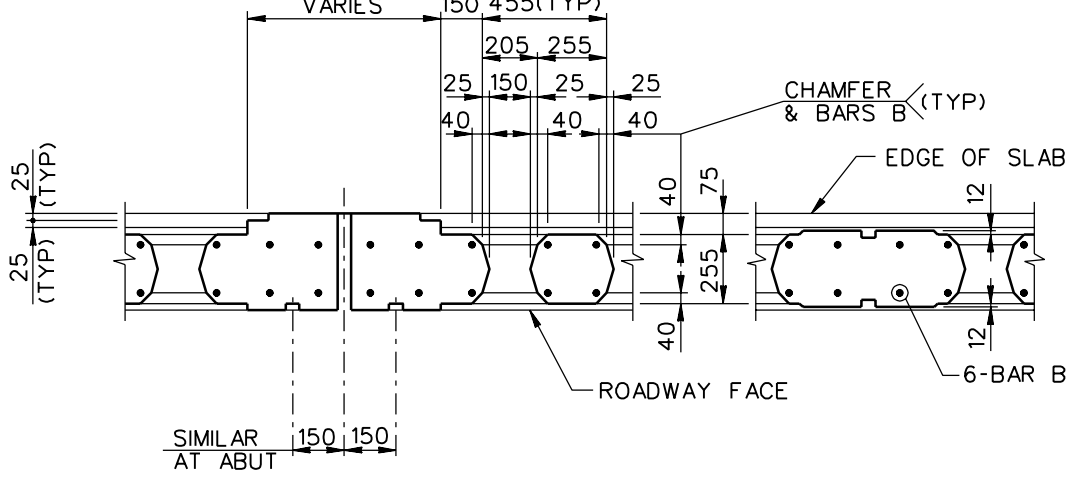
SECTION THRU WINDOW

1994

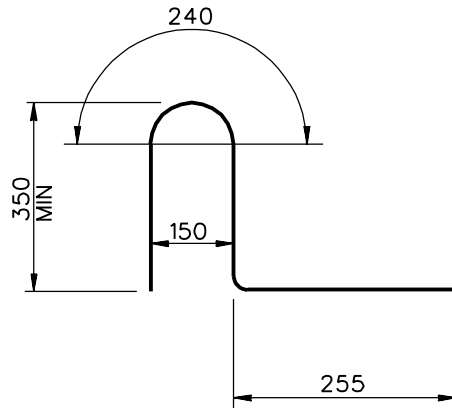
AESTHETIC BALUSTRADE BRIDGE RAILING

SBC03a

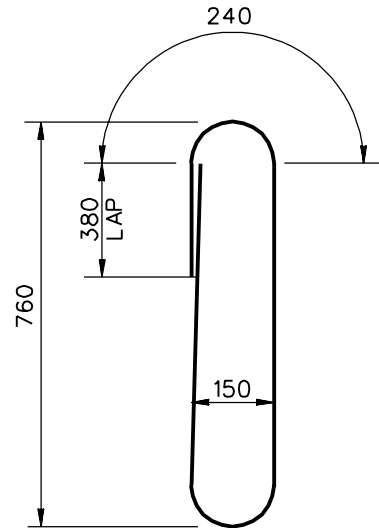
SHEET NO.	REF. NO.
1 of 4	



PLAN SECTION A-A



BAR A (15)



BAR B (15)

1994

AESTHETIC BALUSTRADE BRIDGE RAILING

SBC03a

SHEET NO.	REF. NO.
-----------	----------

3 of 4