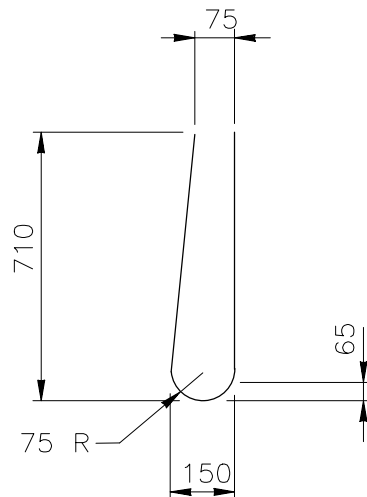
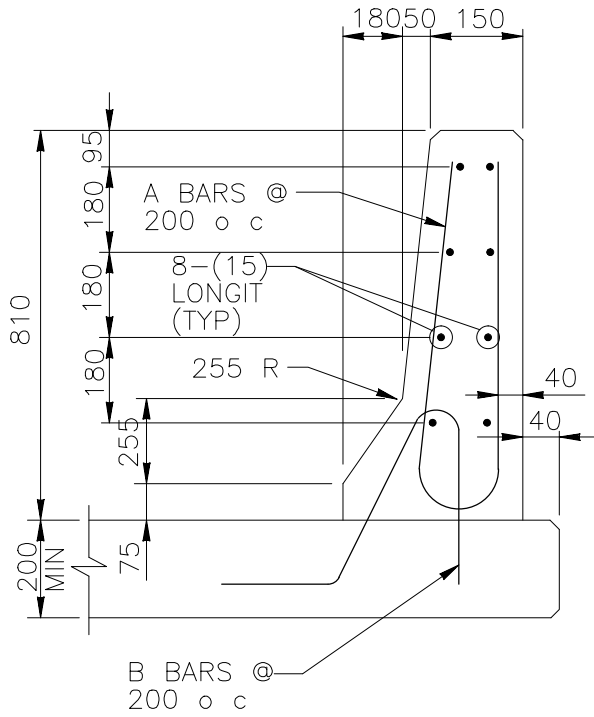
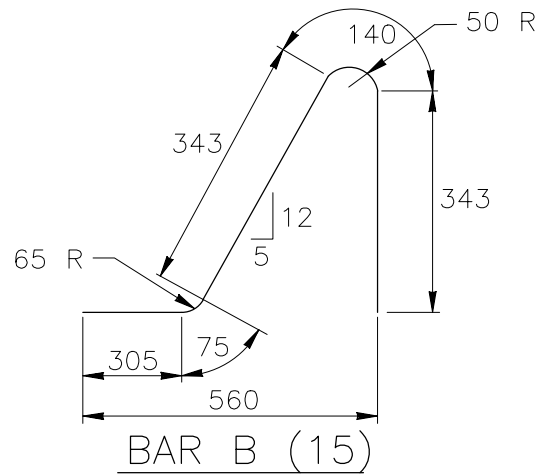


ELEVATION



BAR A (15)



BAR B (15)

1994

SAFETY SHAPE CONCRETE BRIDGE RAILING

SBC05b

SHEET NO.

REF. NO.

1 of 2