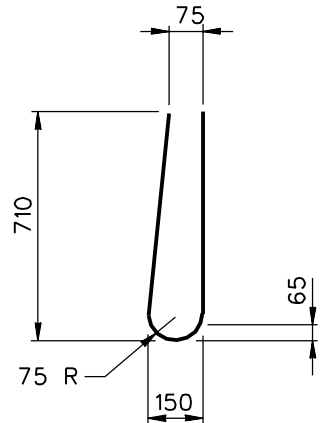
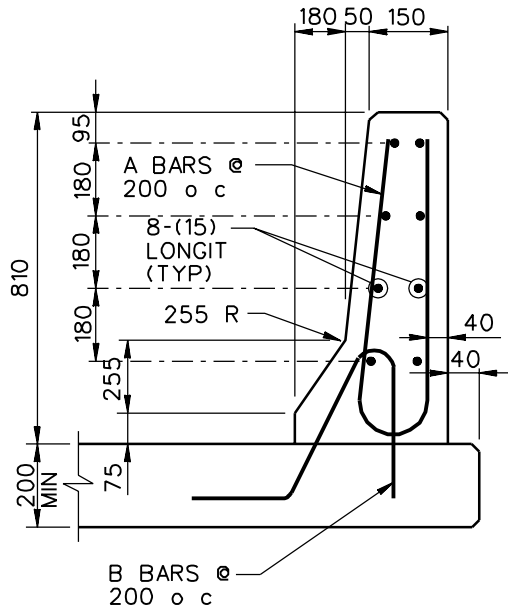
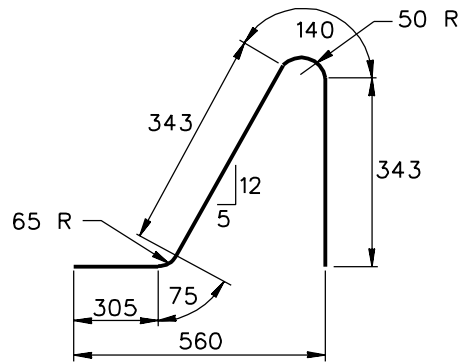


**ELEVATION**



**BAR A (15)**



**BAR B (15)**

1994

**SAFETY SHAPE CONCRETE BRIDGE RAILING**

**SBC05b**

SHEET NO.

REF. NO.

1 of 2