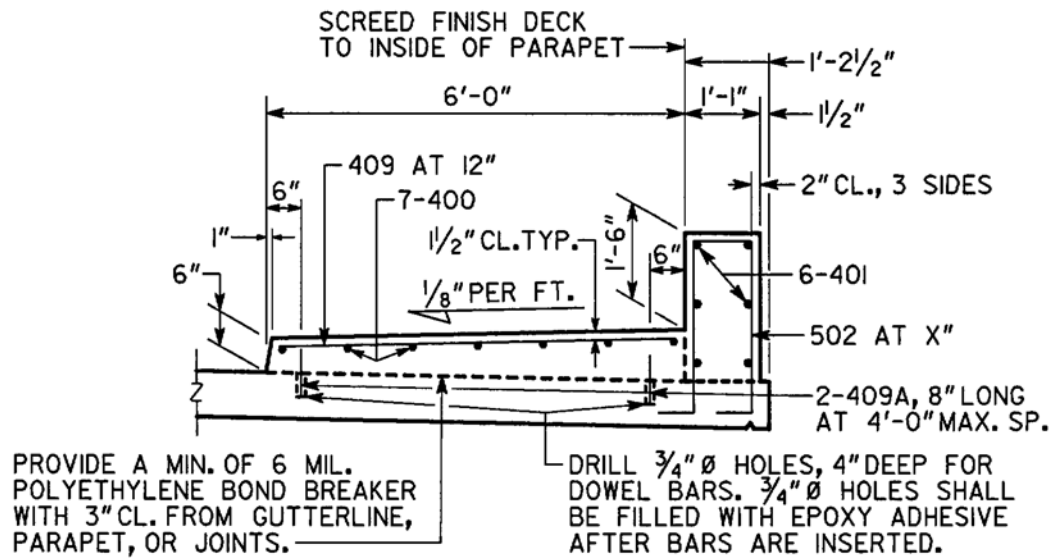


Vertical Parapet with Two-Pipe Aluminum Handrail

PLACE TRANSVERSE SIDEWALK MARKINGS
ON SIDEWALK SPACED AT 5'-0"±.

COST OF BOND BREAKER AND EPOXY ADHESIVE TO BE
INCLUDED IN PRICE BID FOR SUPERSTRUCTURE ITEMS.



1'-6" Vertical Parapet and Sidewalk
(Used With 2'-0" Two Pipe Aluminum Hand Rail)