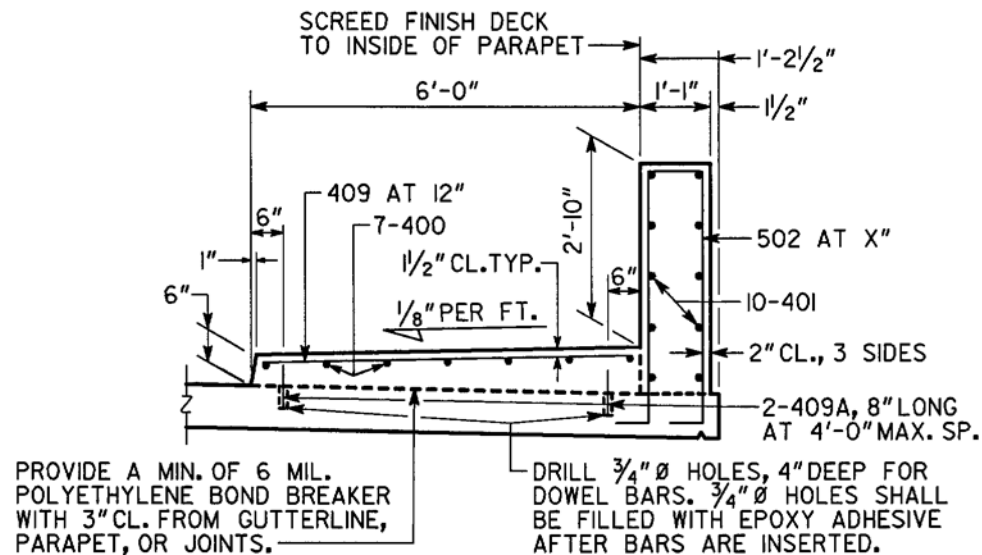


Vertical Parapet with Security Fence

PLACE TRANSVERSE SIDEWALK MARKINGS
ON SIDEWALK SPACED AT 5'-0"±.

COST OF BOND BREAKER AND EPOXY ADHESIVE TO BE
INCLUDED IN PRICE BID FOR SUPERSTRUCTURE ITEMS.



2'-10" Vertical Parapet and Sidewalk
(Used With Security Fence)