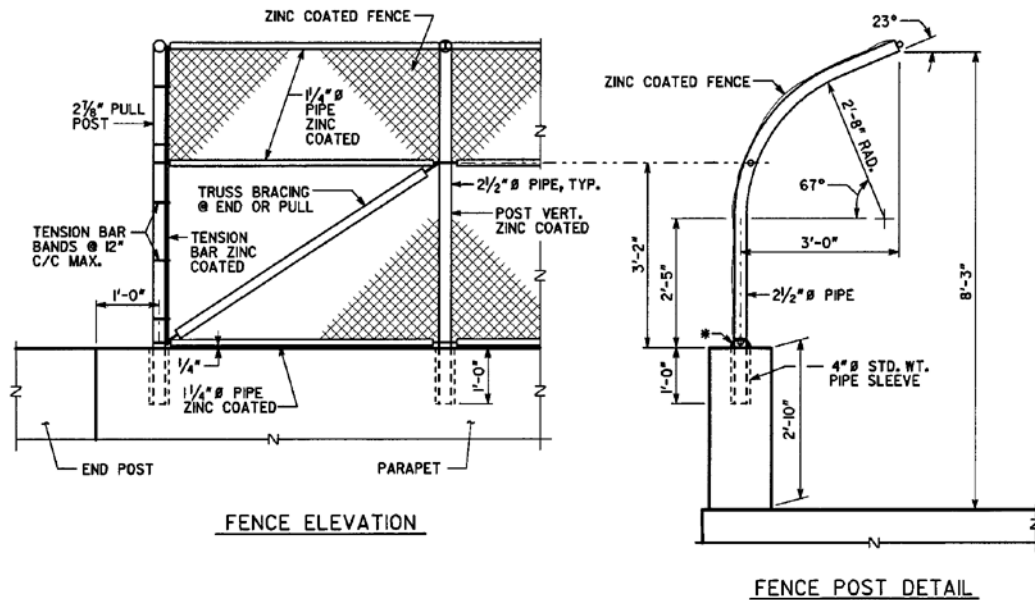


Vertical Parapet with Security Fence

FENCE NOTES:

1. FENCE SHALL BE 9 GAGE CHAIN LINK ZINC COATED TWO INCH SECURITY FENCE.
2. 4"Ø SLEEVE SHALL BE CAST IN THE PARAPET. NON-SHRINK GROUT SHALL BE ALLOWED TO CURE FOR THREE DAYS BEFORE FENCE FABRIC IS INSTALLED.
3. PROVIDE EXPANSION SLEEVE FOR ALL RAILS TO MATCH SUPERSTRUCTURE JOINTS.
4. FOR POST SPACING, SEE BRIDGE SHEET X.
5. FOR FURTHER DETAILS, SEE GEORGIA DOT SPECIFICATIONS SECTIONS 643 AND 894.
6. FABRIC SHALL BE FASTENED TO POST AT INTERVALS NOT GREATER THAN 14".



* NON-SHRINK PORTLAND CEMENT GROUT, TROWEL TO PROVIDE POSITIVE DRAINAGE.