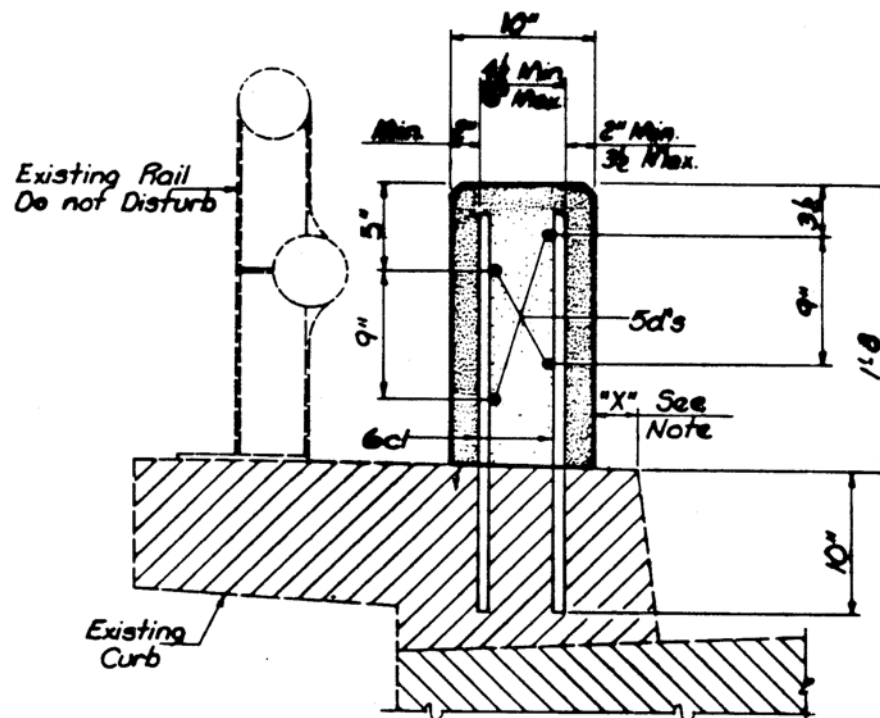


Iowa Retrofit Concrete Barrier Railing



Note: On each side of bridge, Dimension "X" can be a minimum of 1" and a maximum of 3", but must be constant for full length of bridge, However approximately 10 linear feet at either end of rail length shall be transitioned to match existing beam guard rail attachment.