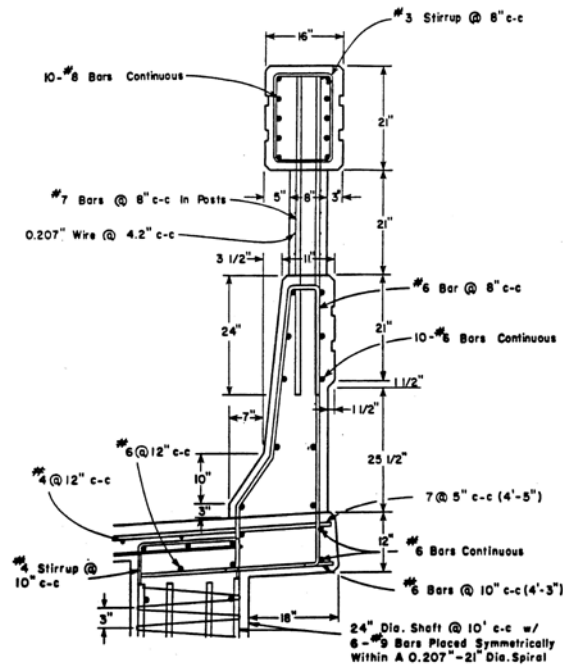


Type T501



Cross Section of the Modified T5 Bridge Rail and Modified Bridge Deck.

Figure B7.60. Texas Modified T5 Bridge Rail for Tanker-Type Trailers (85).

466