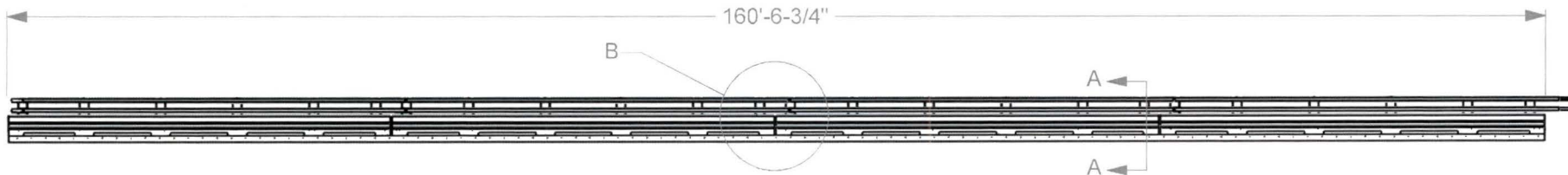
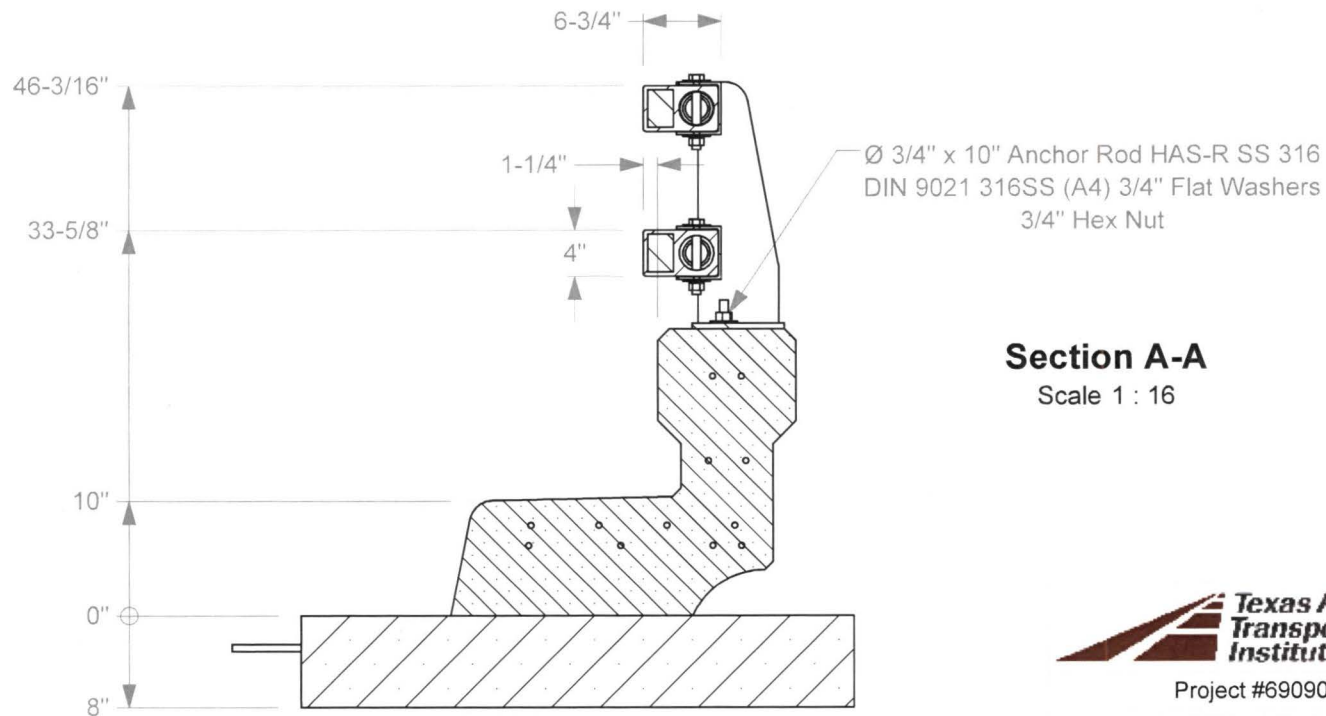


Plan View



Elevation View



Section A-A

Scale 1 : 16



Roadside Safety and
Physical Security Division -
Proving Ground

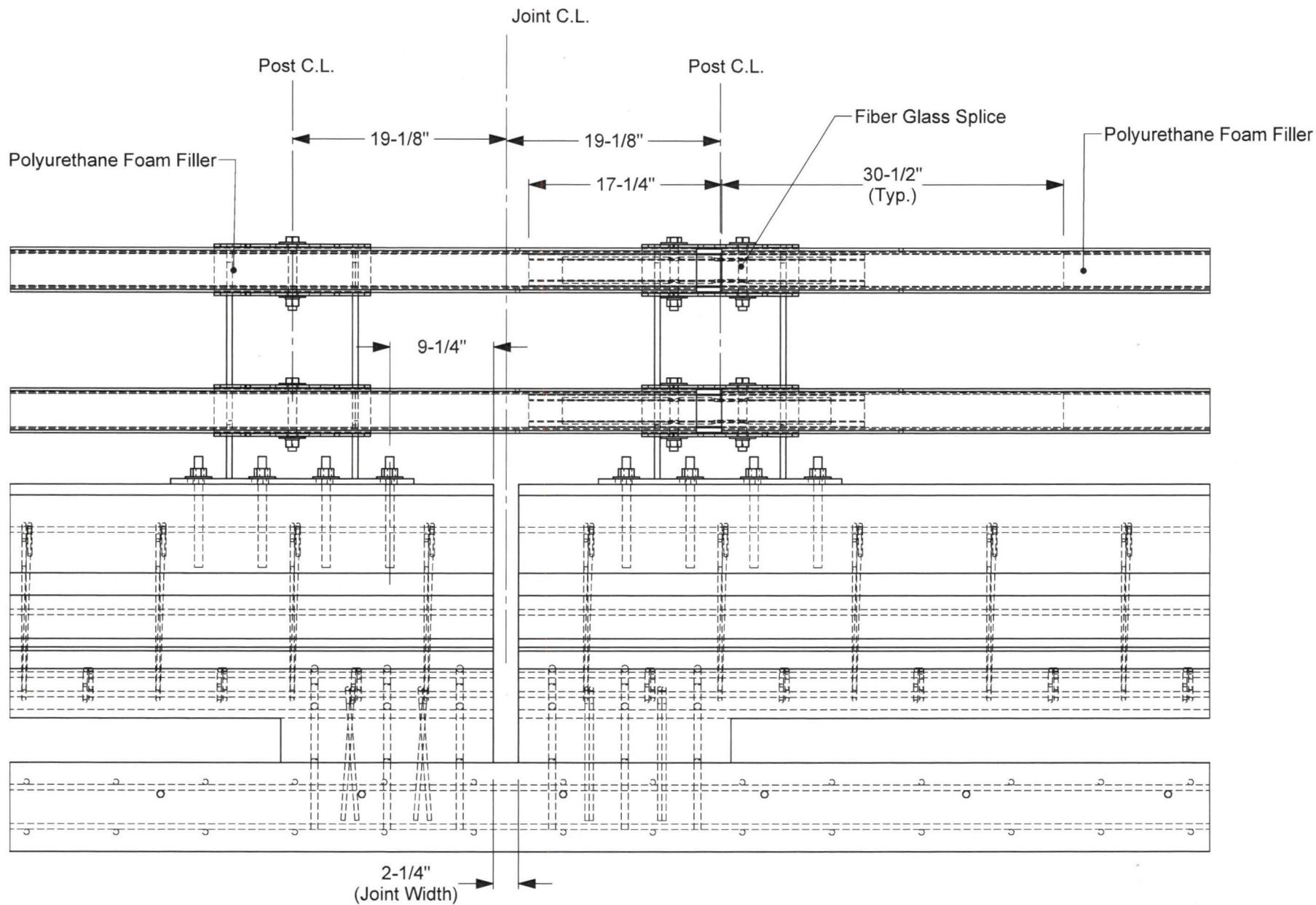
Project #690900 AIMS TL-4 BRG. RAIL

2017-11-08

Drawn by TDS

Scale 1:500

Sheet 1 of 13 Test Installation

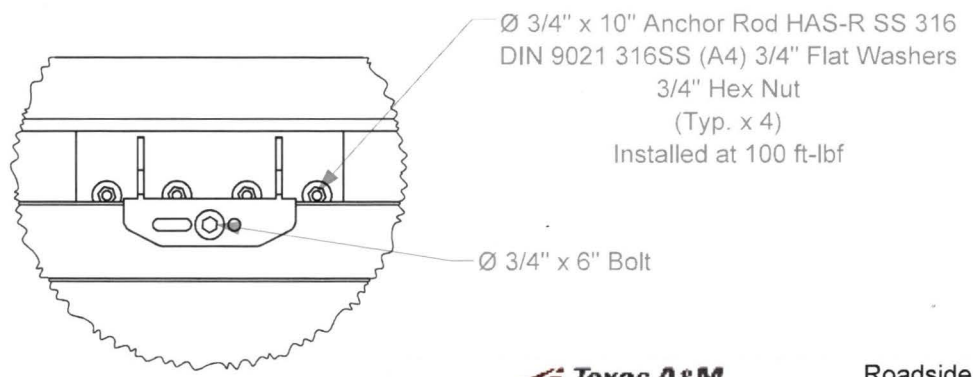
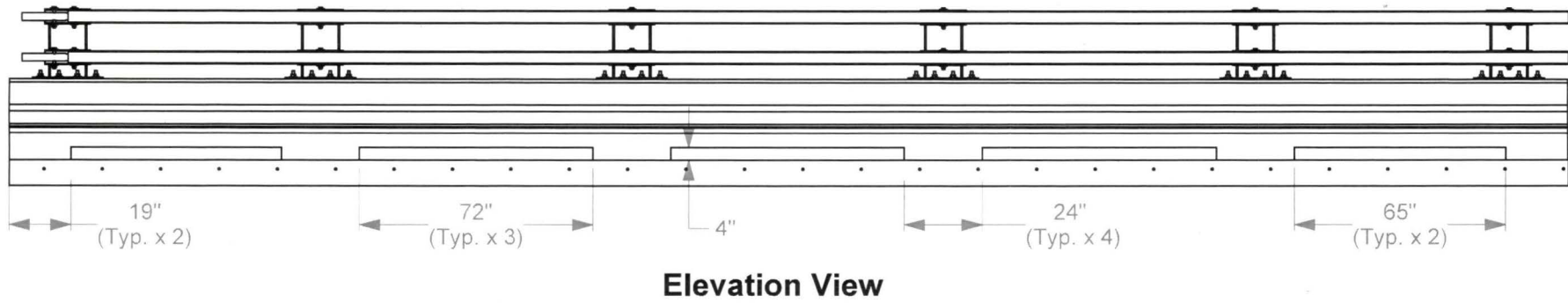
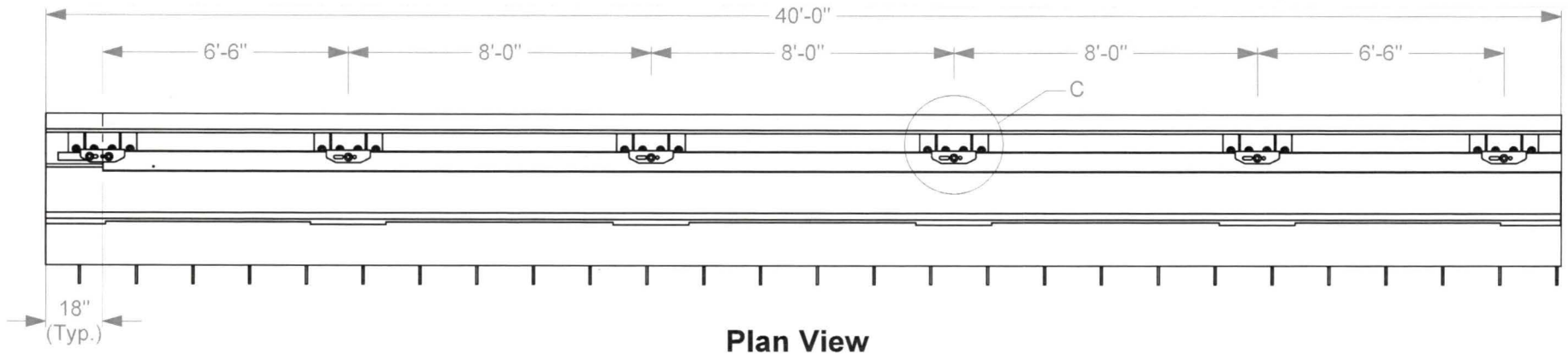


Roadside Safety and
Physical Security Division -
Proving Ground

Project #690900 AIMS TL-4 BRG. RAIL

2017-11-08

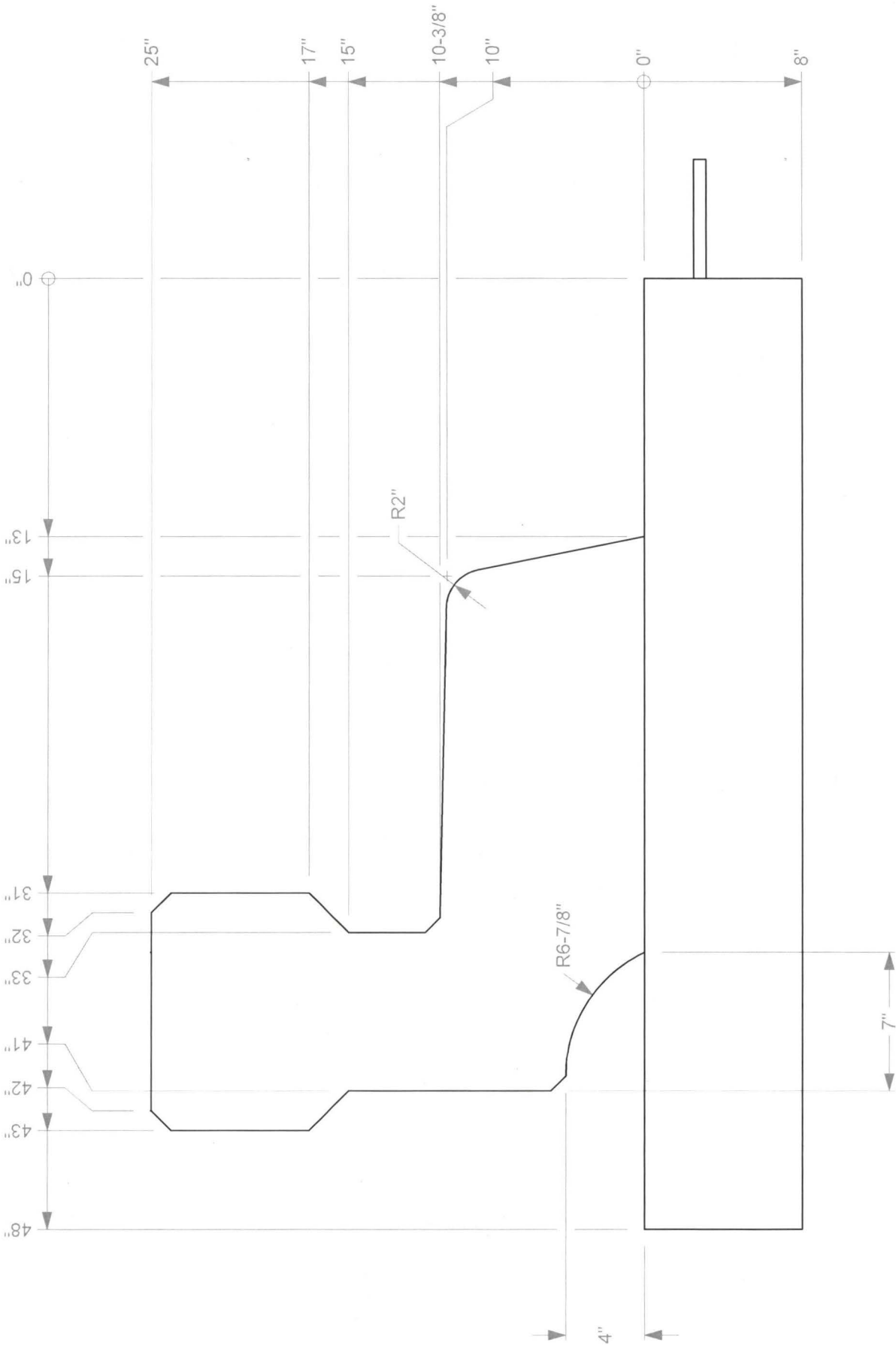
Drawn by TDS Scale 1:500 Sheet 2 of 13 Typical Joint Elevation View



Detail C
 Scale 1 : 15



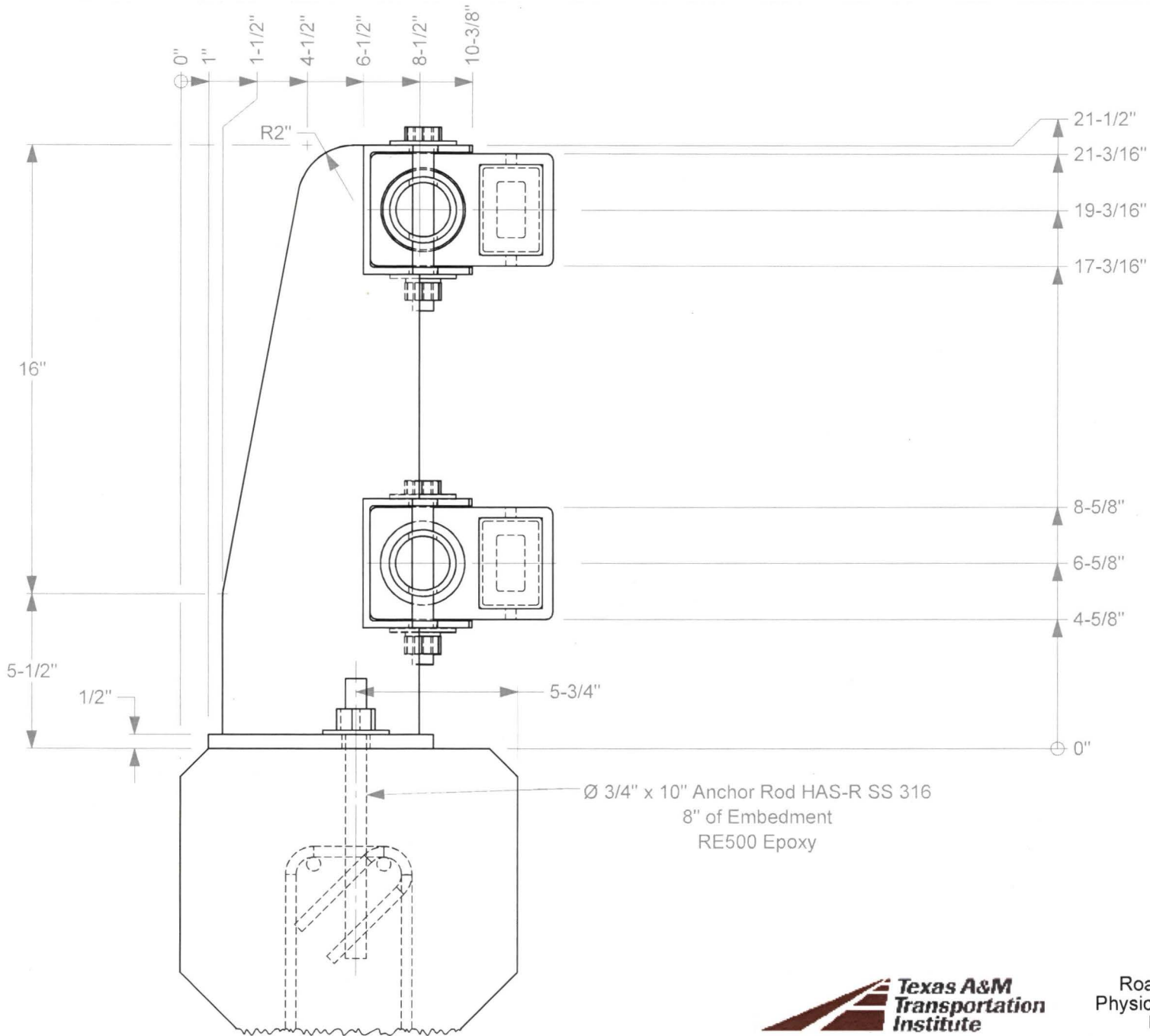
Roadside Safety and
 Physical Security Division -
 Proving Ground



Roadside Safety and
Physical Security Division -
Proving Ground

Project #690900 AIMS TL-4 BRG. RAIL 2017-11-08

Drawn by TDS Scale 1:500 Sheet 4 of 13 Concrete Profile View



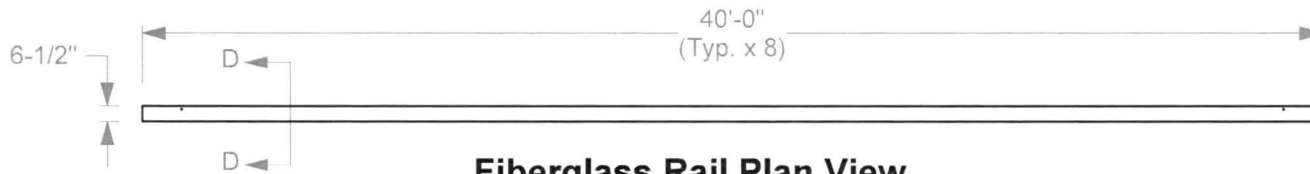
Roadside Safety and Physical Security Division - Proving Ground

Project #690900 AIMS TL-4 BRG. RAIL

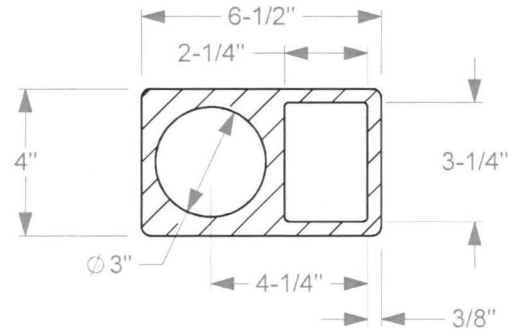
2017-11-08

Drawn by TDS Scale 1:500

Sheet 5 of 13 Profile View

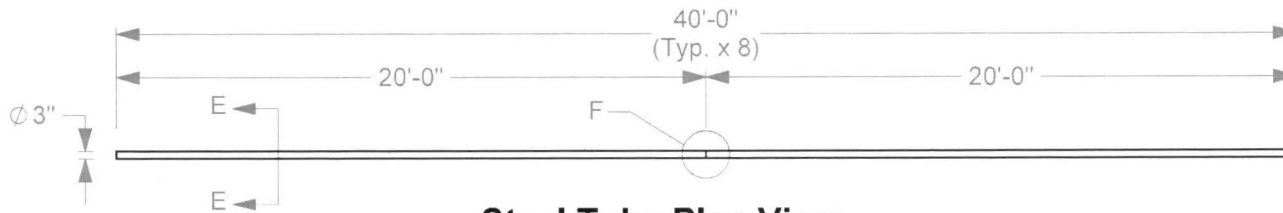


Fiberglass Rail Plan View

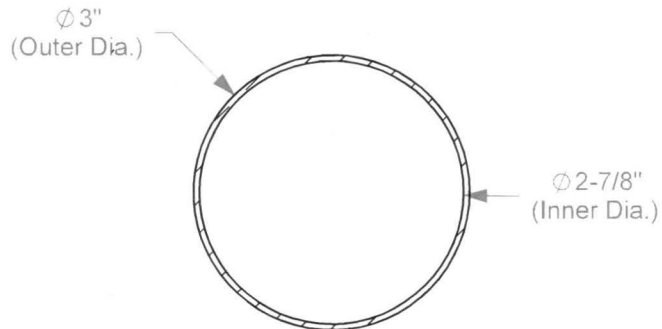


Section D-D

Scale 1 : 5

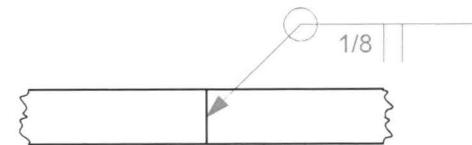


**Steel Tube Plan View
(316 SS)**



Section E-E

Scale 1 : 2



Detail F

Scale 1 : 10



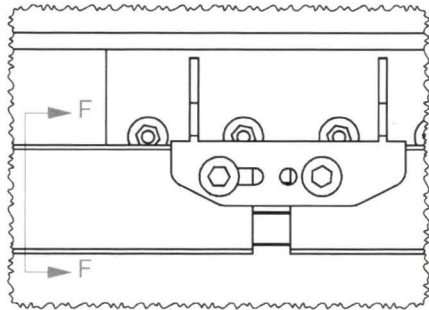
Roadside Safety and
Physical Security Division -
Proving Ground

Project #690900 AIMS TL-4 BRG. RAIL

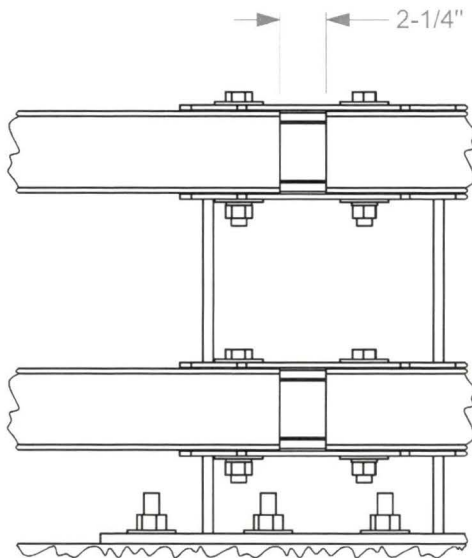
2017-11-08

Drawn by TDS Scale 1:500

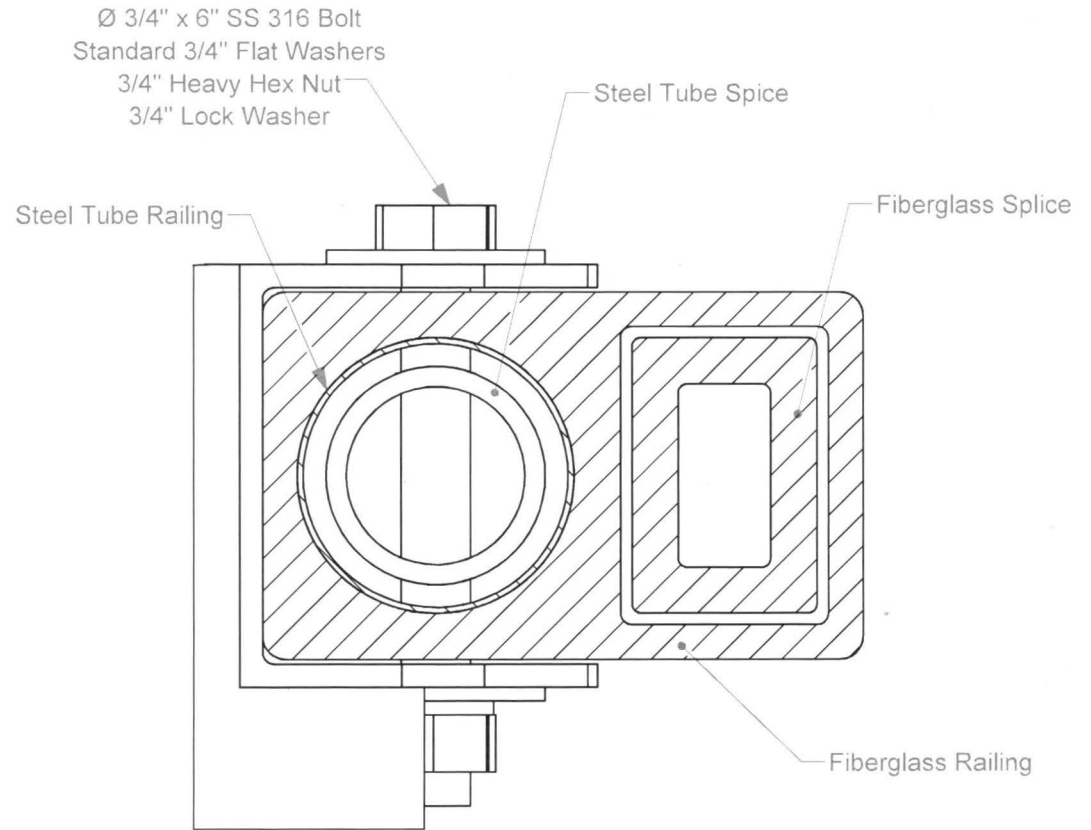
Sheet 6 of 13 Rail Details 1



Splice Plan View



Splice Elevation View



Section F-F

Scale 1 : 2



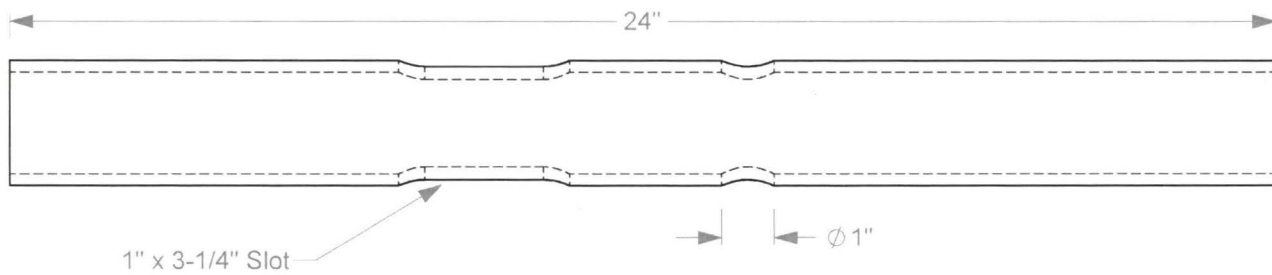
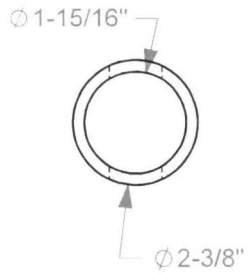
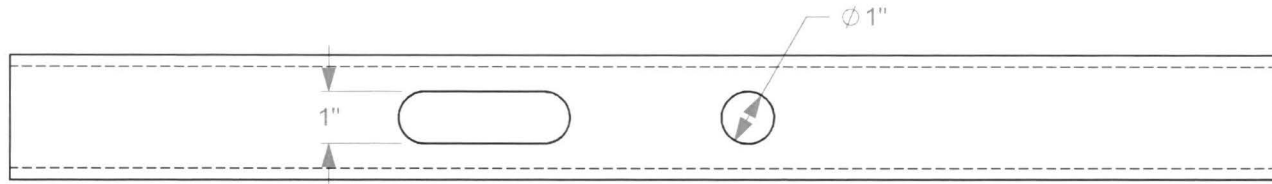
Roadside Safety and
Physical Security Division -
Proving Ground

Project #690900 AIMS TL-4 BRG. RAIL

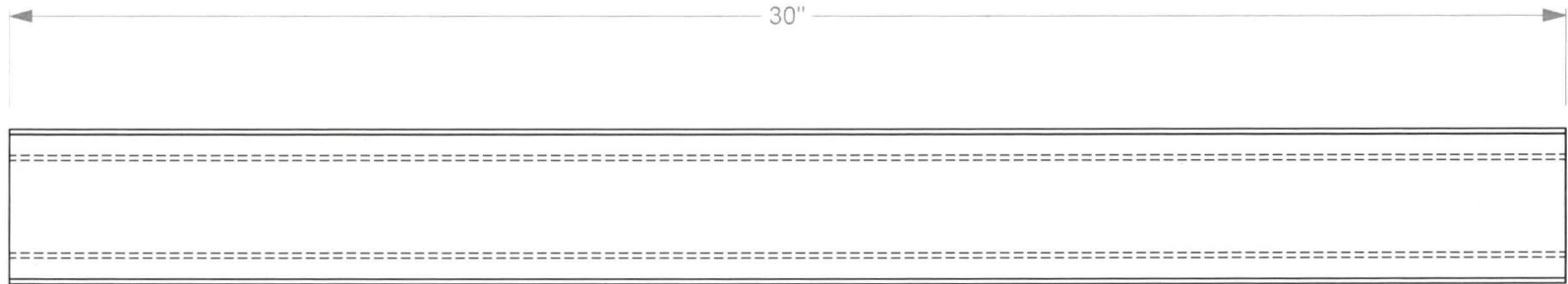
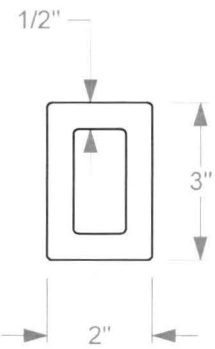
2017-11-08

Drawn by TDS Scale 1:500

Sheet 7 of 13 Splice Detail 1



**Steel Tube Splice - 2" SCH. 80
(316 SS)**



Fiberglass Splice

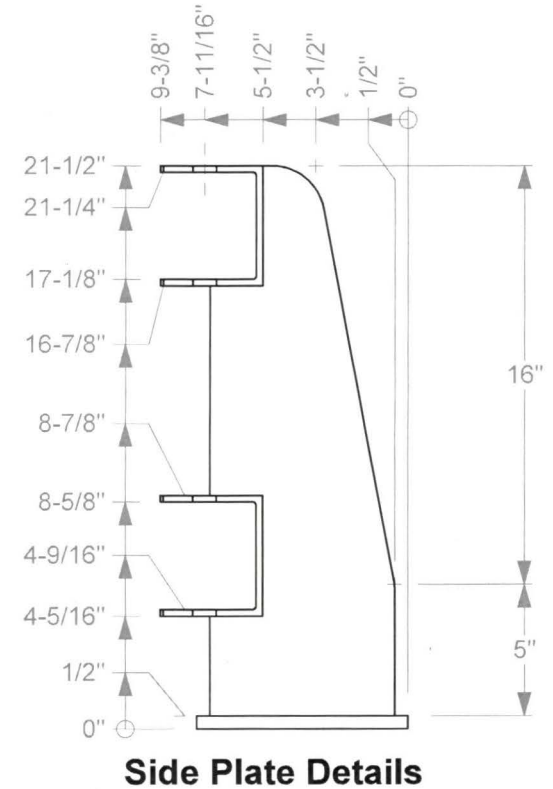
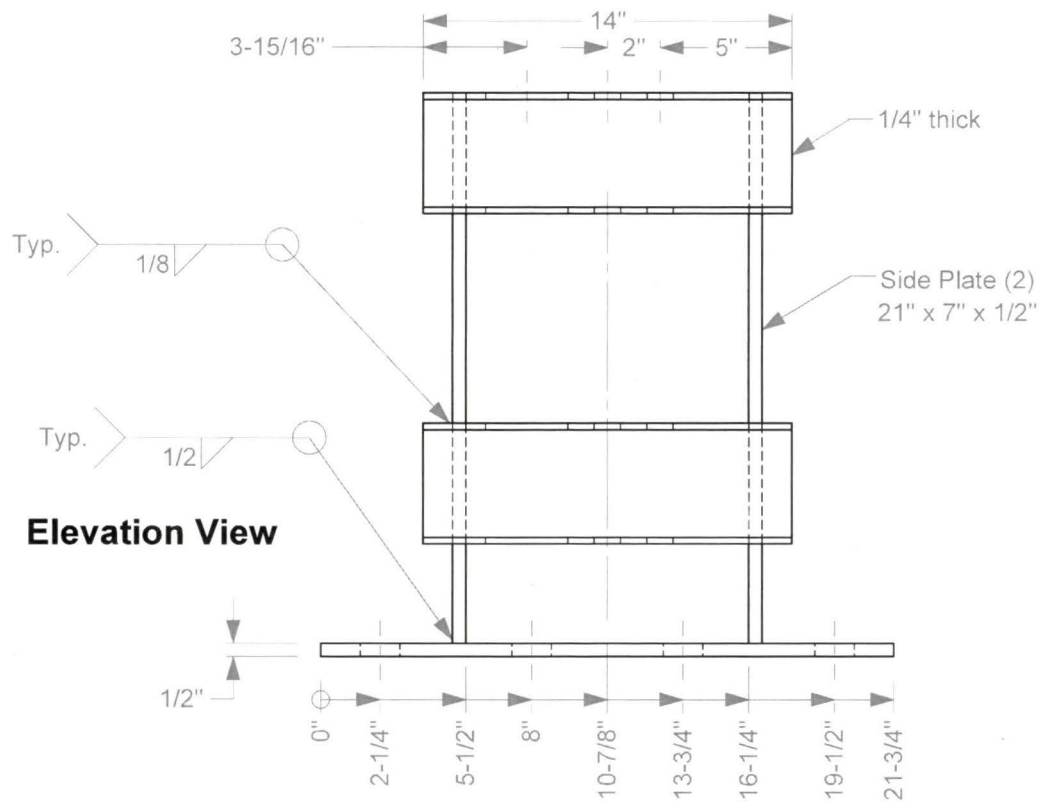
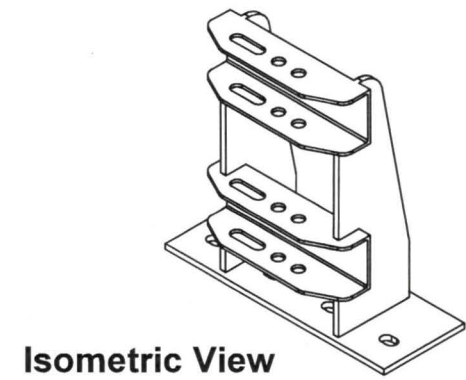
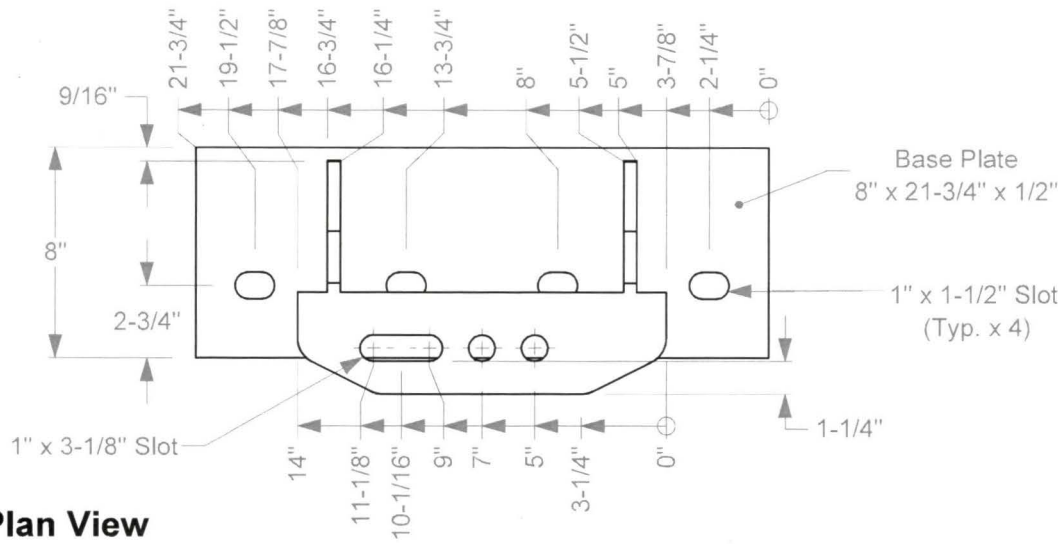


Roadside Safety and
Physical Security Division -
Proving Ground

Project #690900 AIMS TL-4 BRG. RAIL 2017-11-08

Drawn by TDS Scale 1:500

Sheet 8 of 13 Splice Details 2



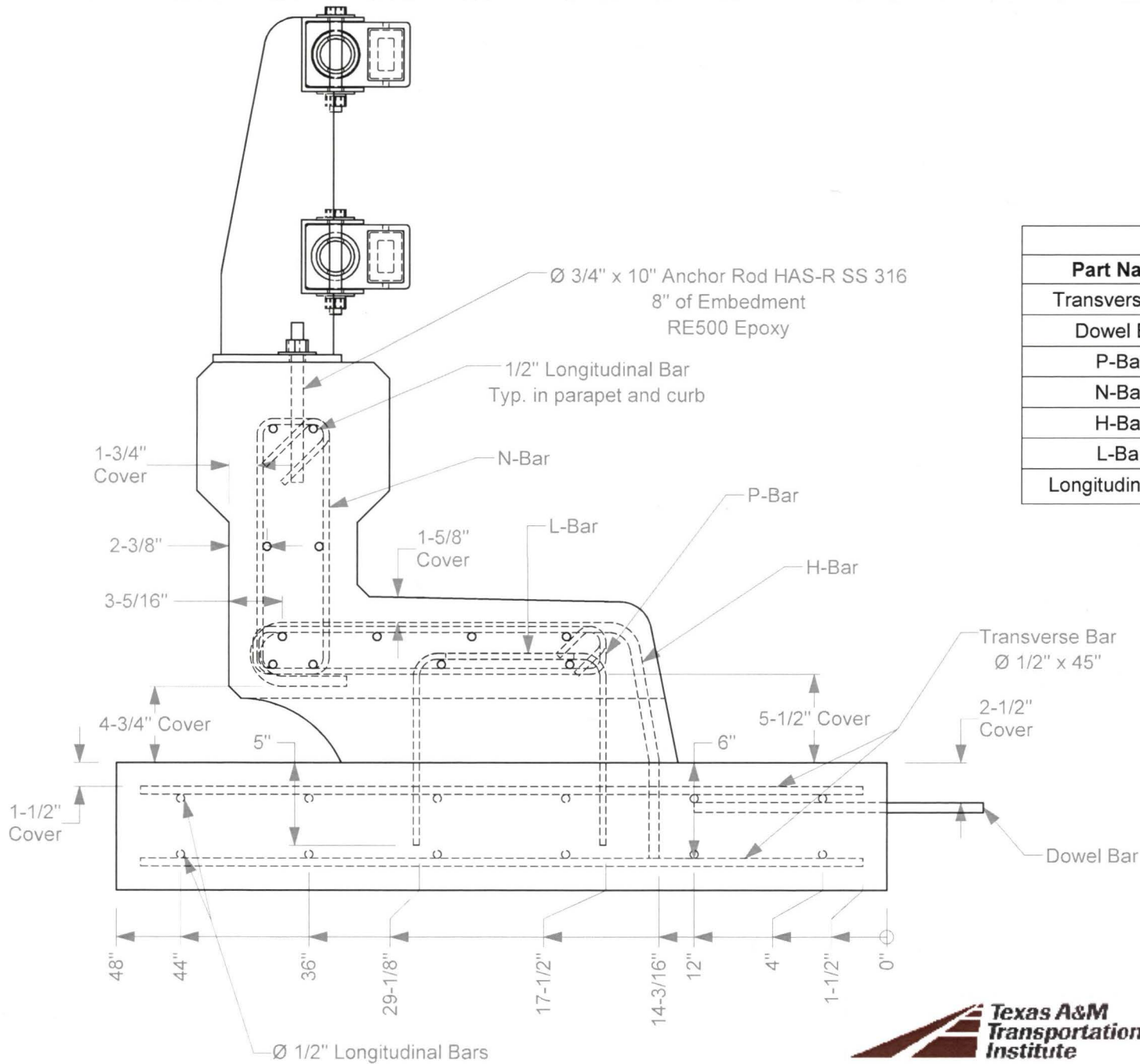
Roadside Safety and
Physical Security Division -
Proving Ground

Project #690900 AIMS TL-4 BRG. RAIL

2017-11-08

Drawn by TDS Scale 1:500

Sheet 9 of 13 Post Details



Profile View

Parts and Rebar	
Part Name	QTY.
Transverse Bar	241
Dowel Bar	107
P-Bar	164
N-Bar	177
H-Bar	72
L-Bar	104
Longitudinal Bar	12

Note:
L-Bar, H-Bar and Dowel Bar
are all anchored with RE500
Epoxy adhesive

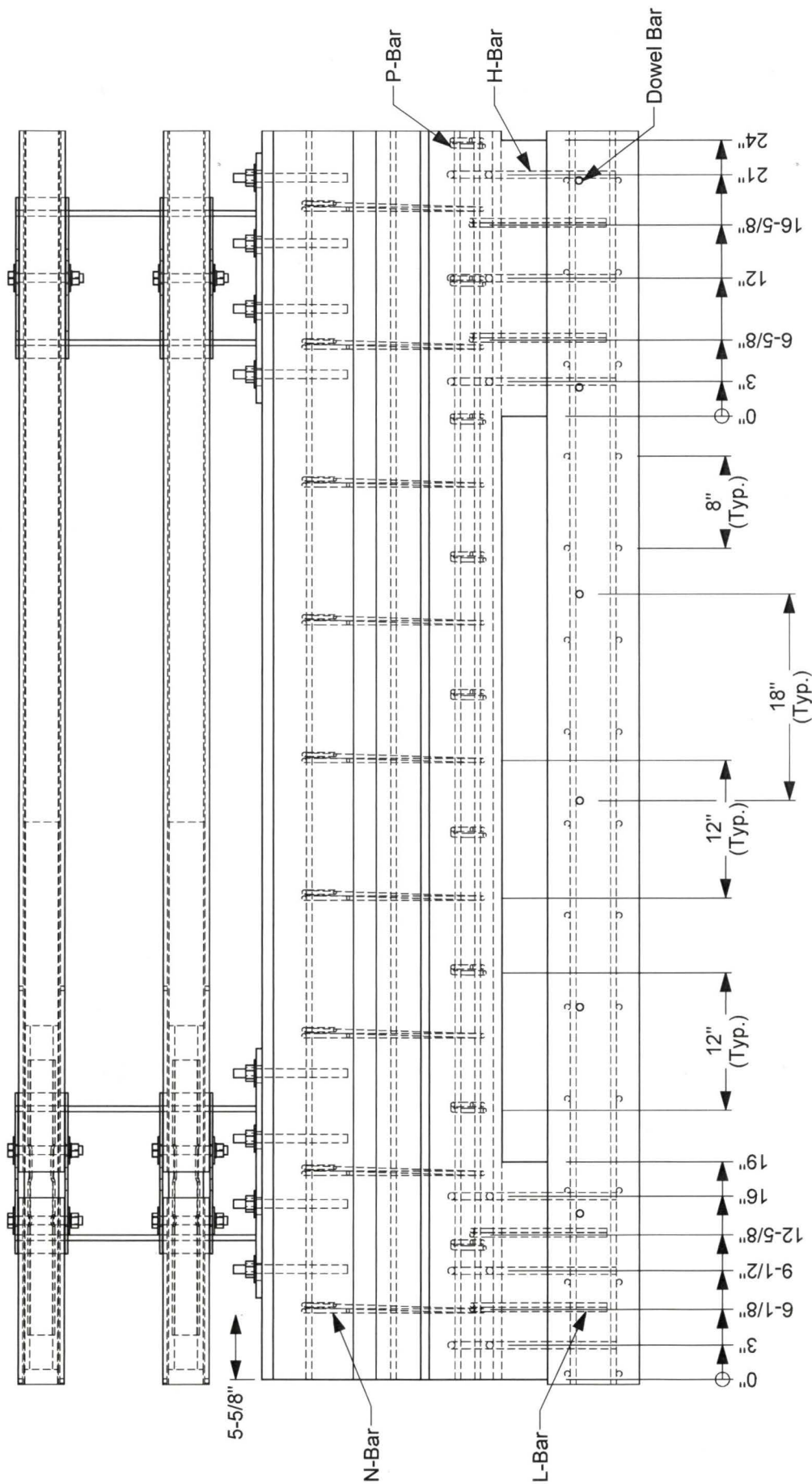


Roadside Safety and
Physical Security Division -
Proving Ground

Project #690900 AIMS TL-4 BRG. RAIL

2017-11-08

Drawn by TDS Scale 1:500 Sheet 10 of 13 Rebar Placement 1



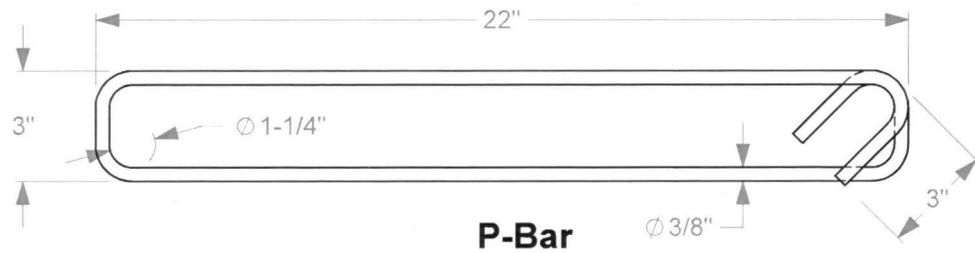
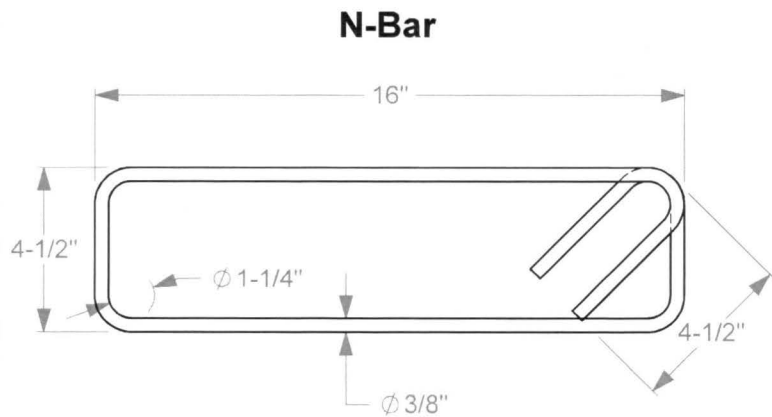
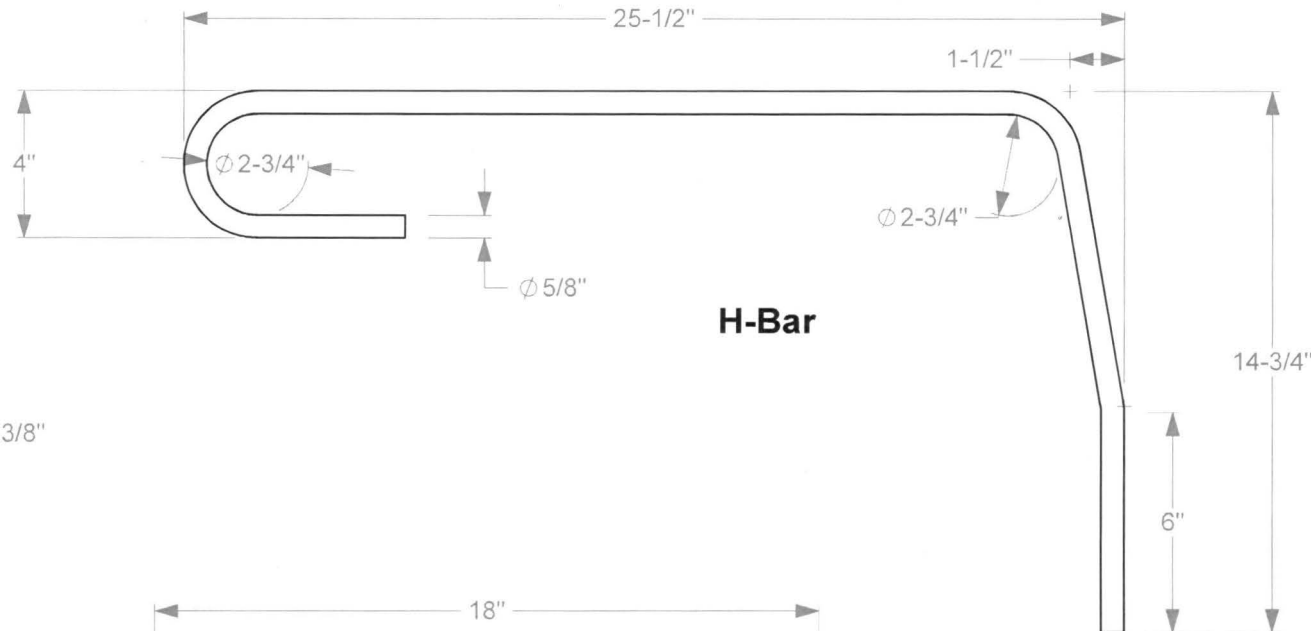
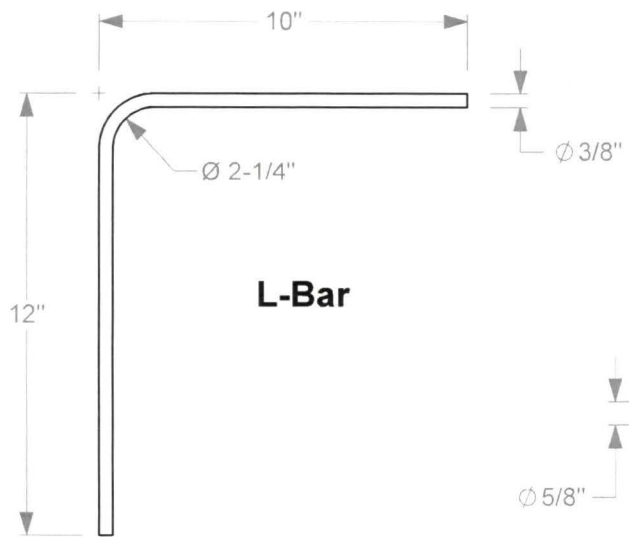
Elevation View



Roadside Safety and
Physical Security Division -
Proving Ground

Project #690900 AIMS TL-4 BRG. RAIL 2017-11-08

Drawn by TDS Scale 1:500 Sheet 11 of 13 Rebar Placement 2



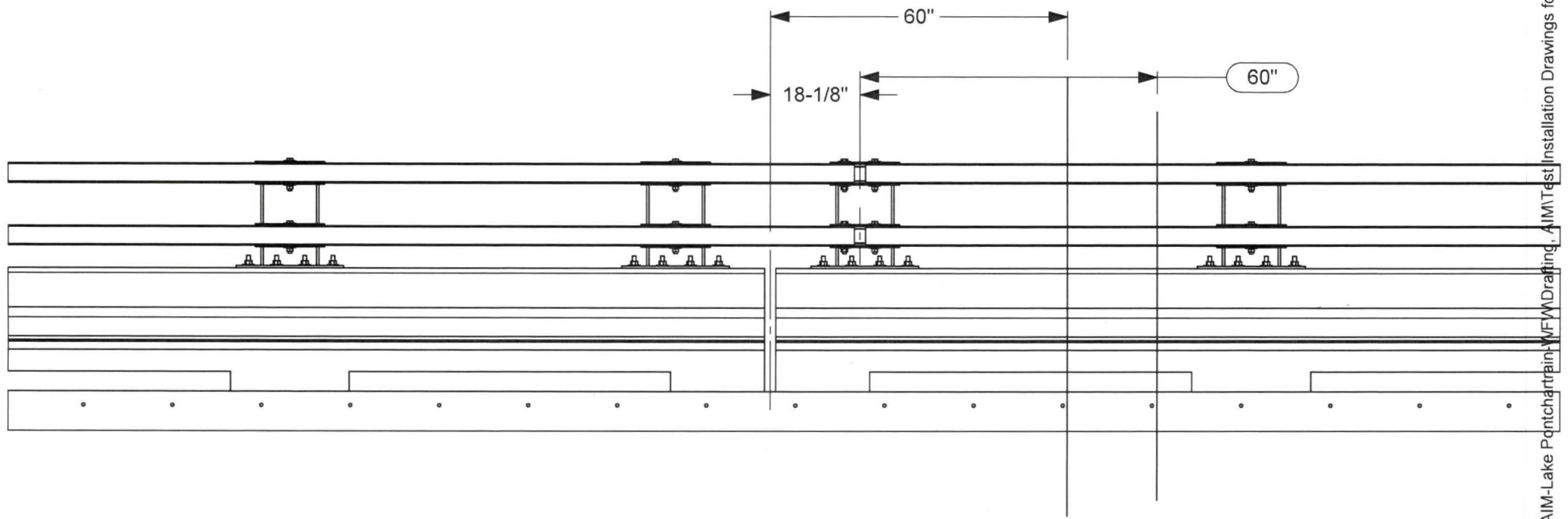
Roadside Safety and
Physical Security Division -
Proving Ground

Project #690900 AIMS TL-4 BRG. RAIL

2017-11-08

Drawn by TDS Scale 1:500

Sheet 12 of 13 Rebar Detail



Roadside Safety and
Physical Security Division -
Proving Ground

Project #690900 AIMS TL-4 BRG. RAIL

2017-11-08

Drawn by TDS Scale 1:500

Sheet 13 of 13 Sheet1

T:\1-ProjectFiles\690900-Compliance\AIM-Lake Pontchartrain\WFW\Drafting_AIMTest\Installation Drawings for Crash Test WFW2017-11-01\AIMS Bridge Rail-TL-4