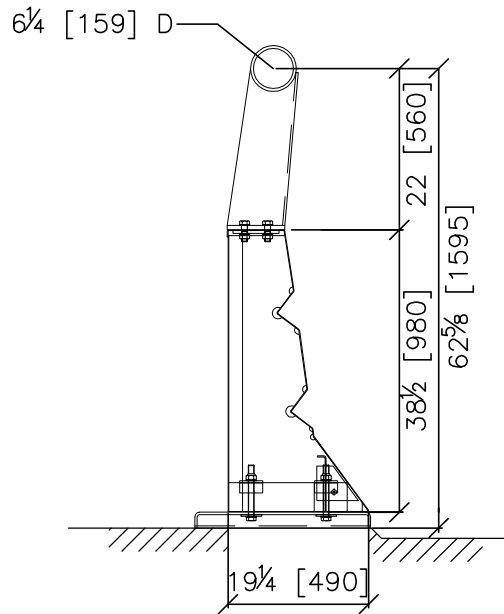


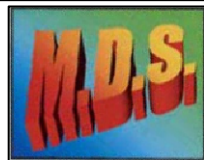
SBS01d



SBS01e

NOTE: STEEL PLATES ON THE TRAFFIC FACE ARE 4 [5/32] THK

MDS BRIDGE RAILING



SB001d-e

| | |
|-----------|-------|
| SHEET NO. | DATE: |
| 1 OF 2 | 2008 |