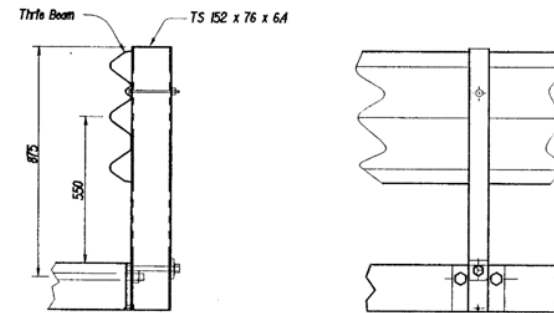
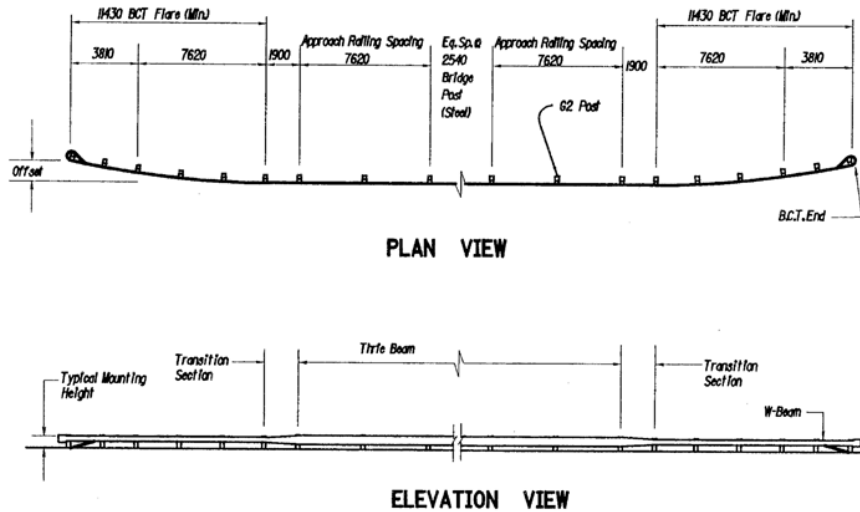


## Thrie Beam Side Mount



All Dimensions Shown Are mm unless Otherwise Noted.

FIGURE D.1 Side-Mounted Thrie-Beam Bridge Railing

Rail Height	810 mm			
Test Vehicle	902-kg Car	1022-kg Car	1022-kg Car	9080-kg Bus
Impact Speed km/h	99	94	97	72
Impact Angle Degrees	14.1	16.0	16.0	7.7