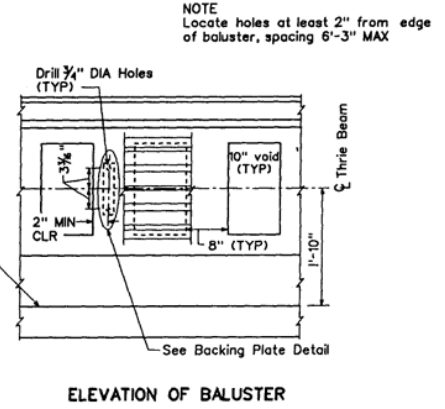
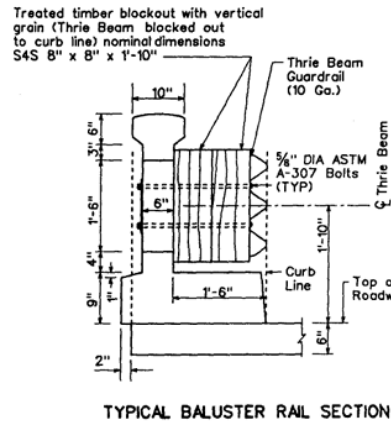
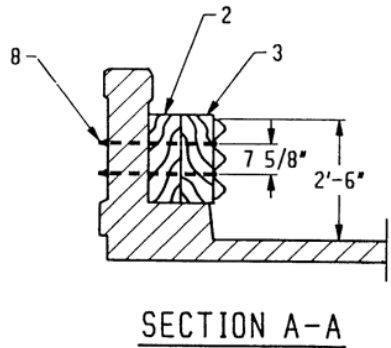
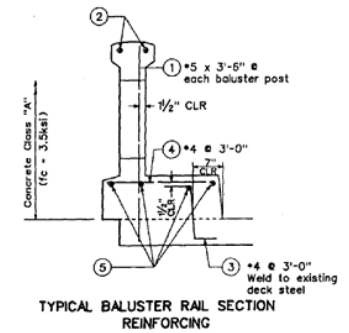
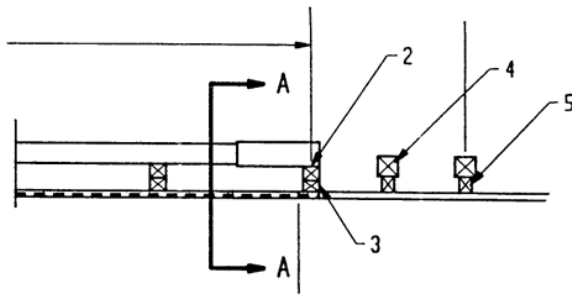
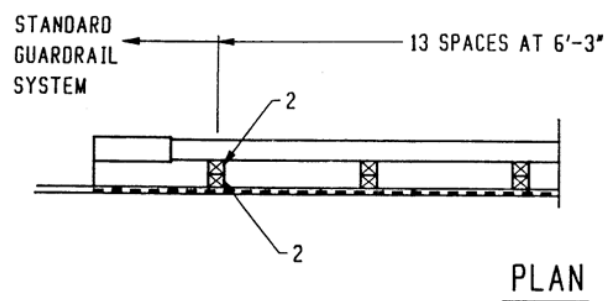


Washington 10 Gauge Thrie-Beam Retrofit



NOTE
Locate holes at least 2" from edge of baluster, spacing 6'-3" MAX

FIGURE 8: WASHINGTON 10 GAGE THRIE BEAM RETROFIT FOR BALUSTERS CURB/SIDEWALK