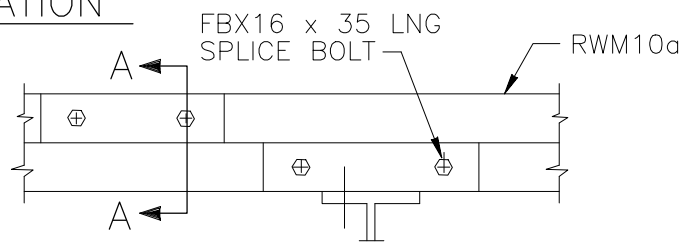
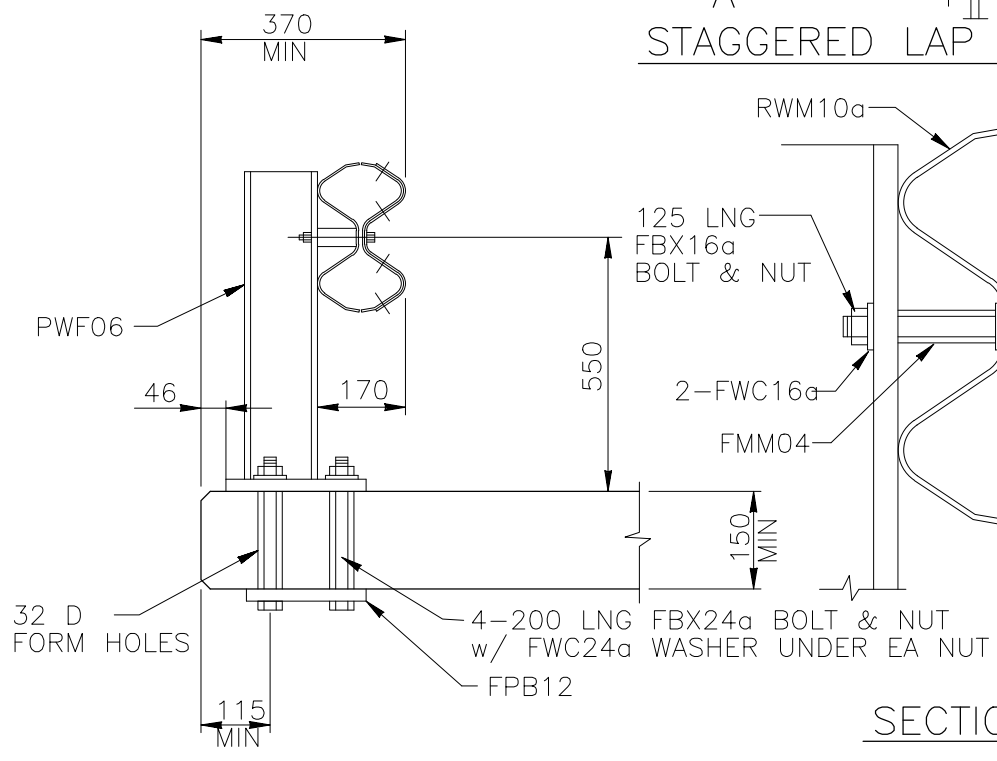


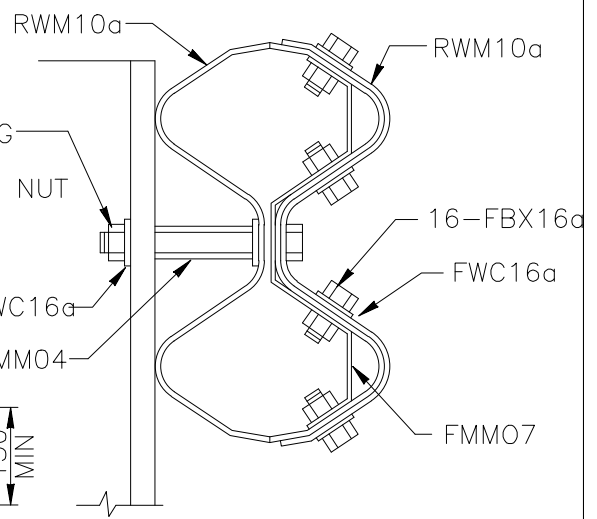
ELEVATION



STAGGERED LAP SPLICE



SECTION



SECTION A-A

1994

TUBULAR W-BEAM BRIDGE RAILING

SBW01a

SHEET NO.	REF. NO.
1 of 2	