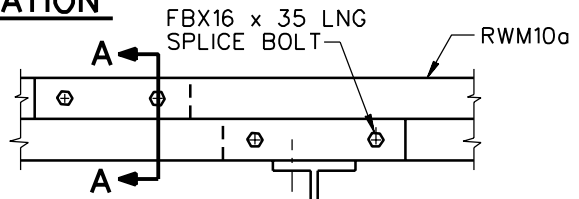
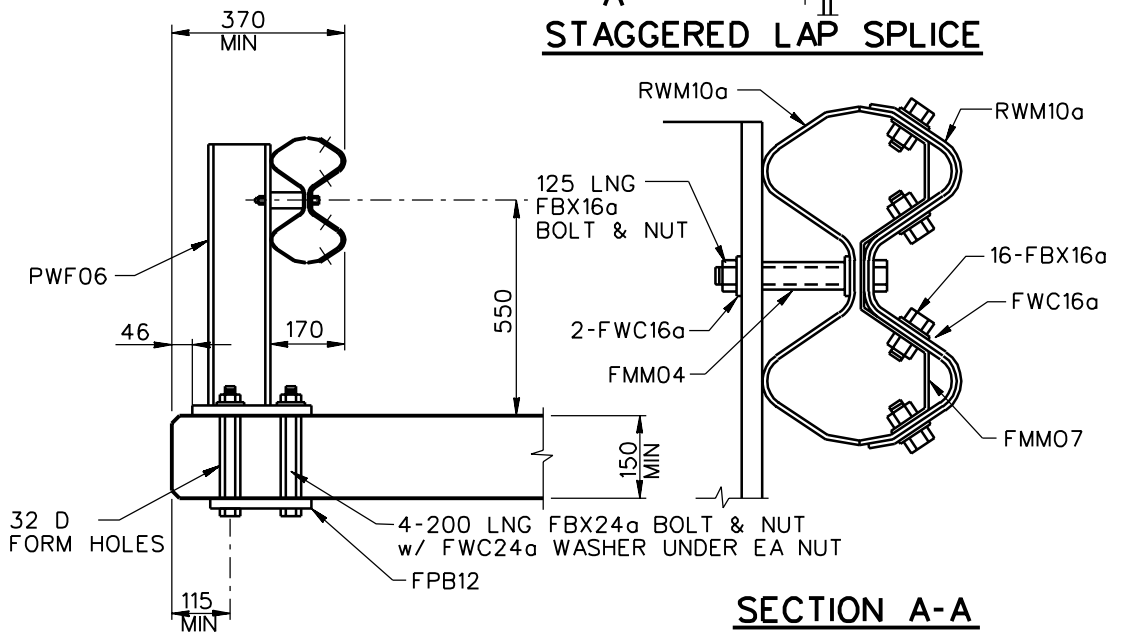


**ELEVATION**



**STAGGERED LAP SPLICE**



**SECTION**

1994

**TUBULAR W-BEAM BRIDGE RAILING**

**SBW01a**

SHEET NO.	REF. NO.
1 of 2	