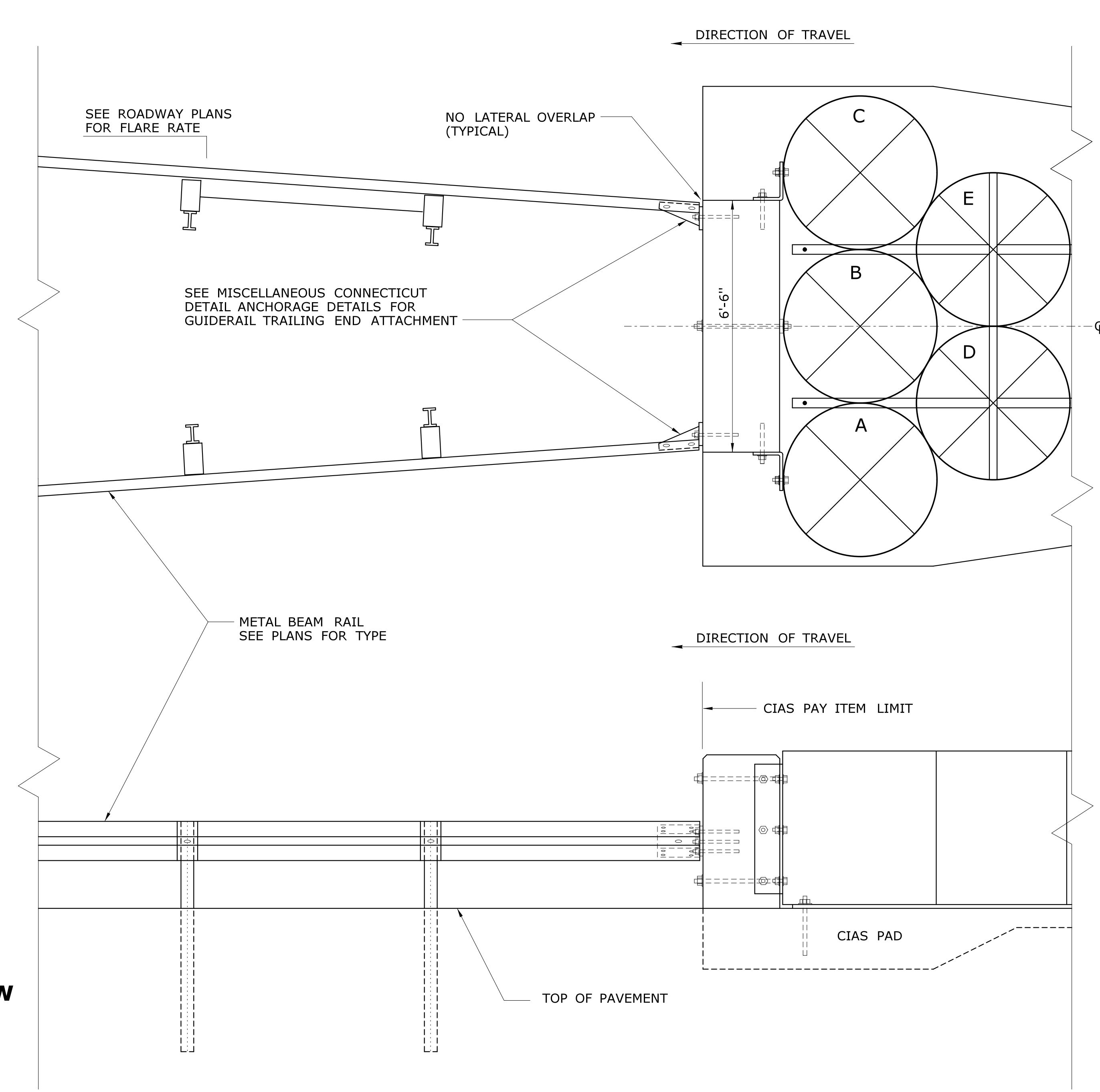


ATTACHMENT TO PRECAST CONCRETE BARRIER CURB



ATTACHMENT TO METAL BEAM RAIL

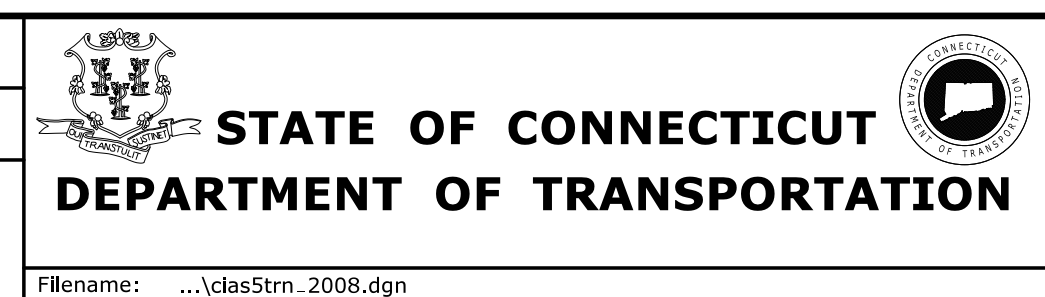
PLAN VIEW

ELEVATION VIEW

REV.	DATE	REVISION DESCRIPTION	SHEET NO.

THE INFORMATION, INCLUDING ESTIMATED QUANTITIES OF WORK, SHOWN ON THESE SHEETS IS BASED ON LIMITED INVESTIGATIONS BY THE STATE AND IS IN NO WAY WARRANTED TO INDICATE THE CONDITIONS OF ACTUAL QUANTITIES OF WORK WHICH WILL BE REQUIRED.

DESIGNER/DRAFTER: -
 CHECKED BY: -
 NTS



SIGNATURE/BLOCK: -
 APPROVED BY: - DATE: -

PROJECT TITLE: -

TOWN: -
 DRAWING TITLE:
MISCELLANEOUS CONNECTICUT DETAIL
CIAS
REAR TRANSITION DETAIL

PROJECT NO. -
 DRAWING NO. **1804-A5**
 SHEET NO. **\$\$\$**

Revised 5/14/08

Plotted Date: 7/17/2013

Filename: ...\cias5trn_2008.dgn