

UNLESS OTHERWISE SPECIFIED:  
ALL DIMENSIONS ARE IN INCHES(mm).



160 Avenida La Pata  
San Clemente, CA 92673  
(949) 361-5663  
FAX (949) 361-9205  
www.traffixdevices.com

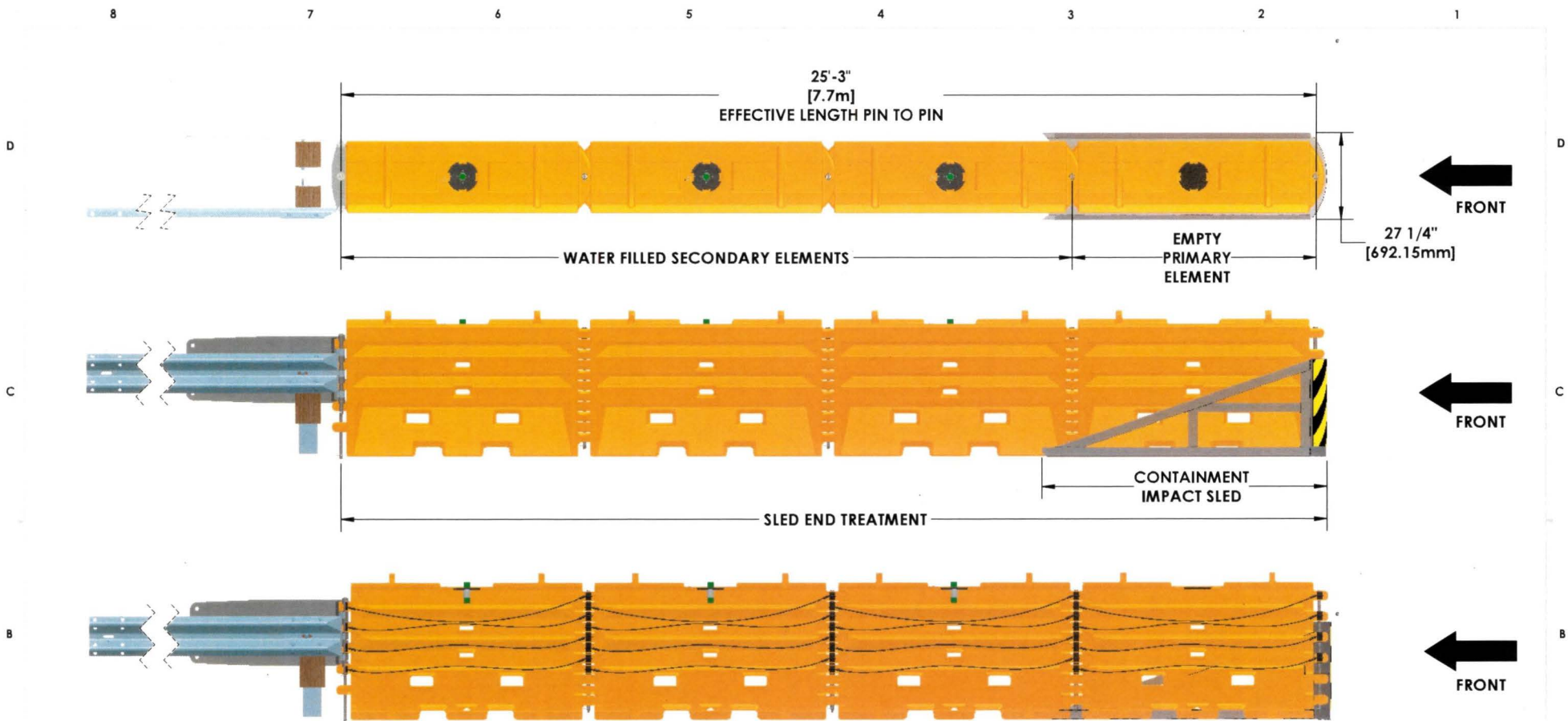
TITLE:  
**SLED END  
TREATMENT W/ GUARDRAIL**

DRAWN BY: Christopher Jaime  
CHECKED BY: FA  
APPROVED BY: FA

DATE: 5/17/17  
DATE: 5/17/17  
DATE: 5/17/17

SIZE **B** DWG. NO. **300-262** REV **A**

SHEET 2 OF 2



CUT AWAY SLED END TREATMENT  
ALL SECTIONS CONTAIN INTERNAL MOLDED-IN CABLES

NOTES: UNLESS OTHERWISE SPECIFIED

UNLESS OTHERWISE SPECIFIED:  
ALL DIMENSIONS ARE IN INCHES[mm].

**Traffix Devices Inc.**  160 Avenida La Pata  
San Clemente, CA 92673  
(949) 361-5663  
FAX (949) 361-9205  
www.traffixdevices.com

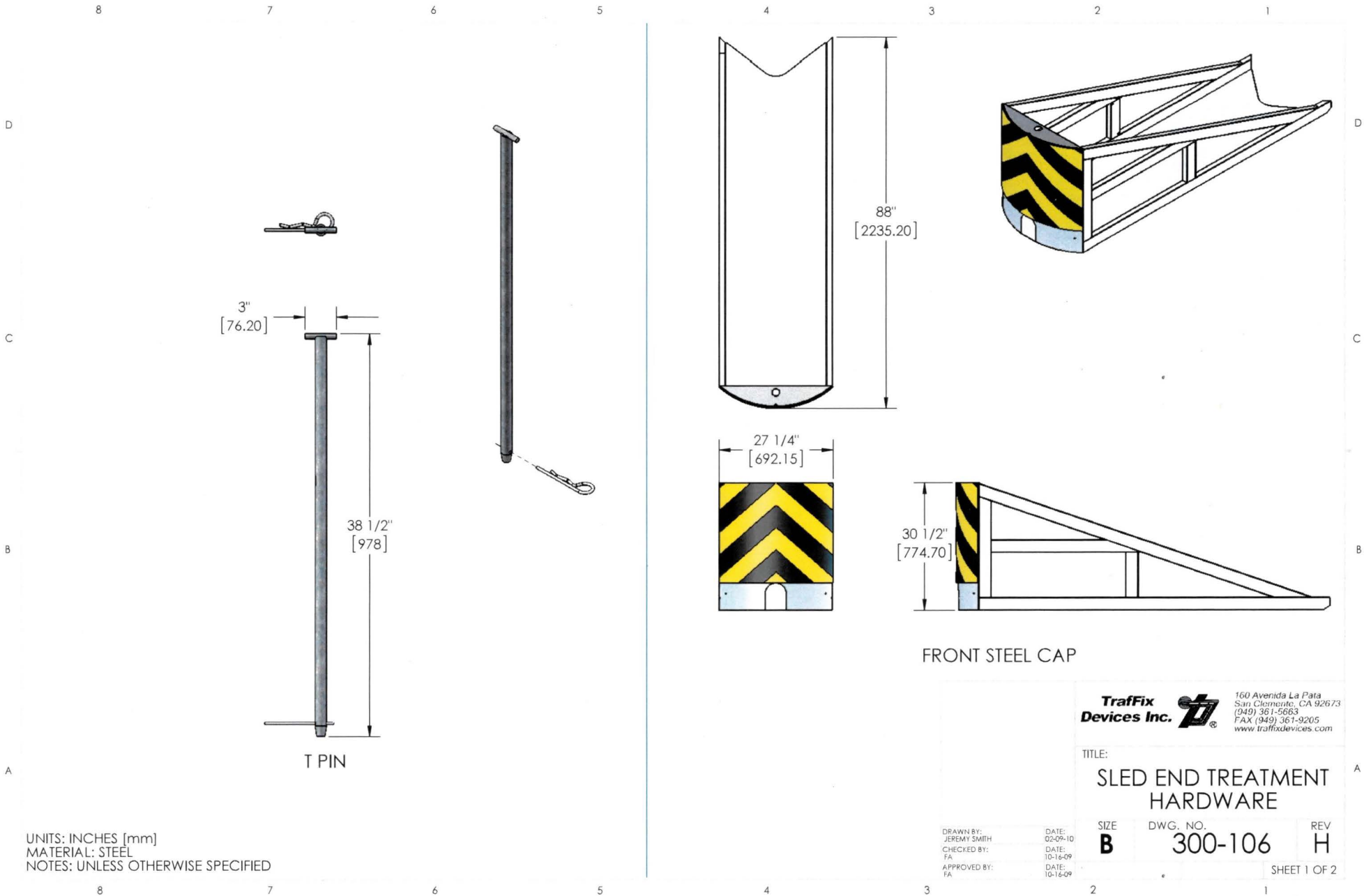
TITLE:  
**SLED END TREATMENT W/ GUARDRAIL**

DRAWN BY:  
Christopher Jaime  
CHECKED BY:  
FA  
APPROVED BY:  
FA

DATE:  
5/17/17  
DATE:  
5/17/17  
DATE:  
5/17/17

SIZE **B** DWG. NO. **300-262** REV **A**

SHEET 1 OF 2



UNITS: INCHES [mm]  
 MATERIAL: STEEL  
 NOTES: UNLESS OTHERWISE SPECIFIED

**Traffix Devices Inc.**  160 Avenida La Pata  
 San Clemente, CA 92673  
 (949) 361-5663  
 FAX (949) 361-9205  
 www.traffixdevices.com

TITLE:  
**SLED END TREATMENT  
 HARDWARE**

DRAWN BY:  
 JEREMY SMITH  
 CHECKED BY:  
 FA  
 APPROVED BY:  
 FA

DATE:  
 02-09-10  
 DATE:  
 10-16-09  
 DATE:  
 10-16-09

SIZE  
**B**

DWG. NO.  
**300-106**

REV  
**H**

SHEET 1 OF 2

8

7

6

5

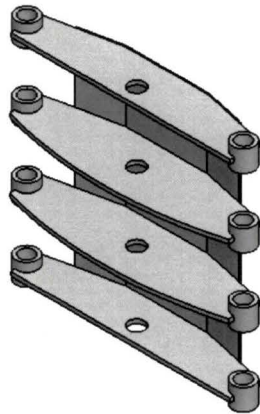
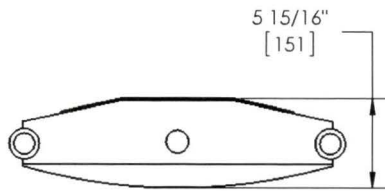
4

3

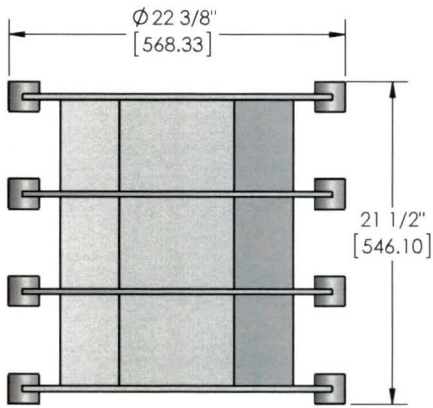
2

1

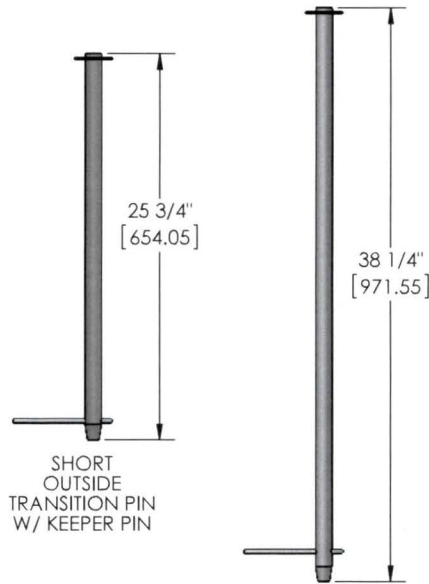
D



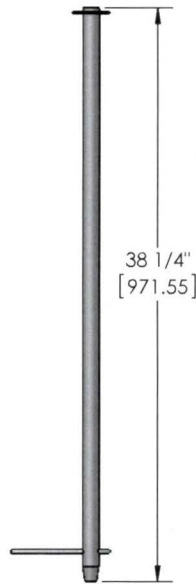
C



SLED END TREATMENT  
TRANSITION FRAME

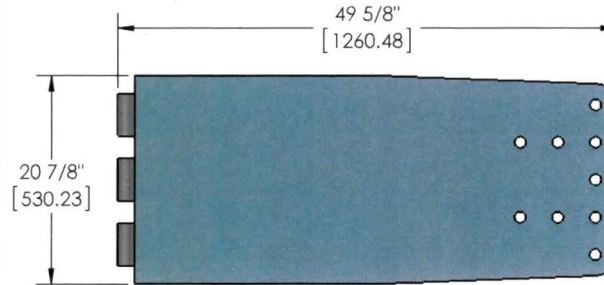


SHORT  
OUTSIDE  
TRANSITION PIN  
W/ KEEPER PIN



LONG  
CENTER  
TRANSITION PIN  
W/ KEEPER PIN

B



SLED END TREATMENT  
TRANSITION PANEL

D

C

B

A

UNITS: INCHES [mm]  
MATERIAL: STEEL  
NOTES: UNLESS OTHERWISE SPECIFIED

8

7

6

5

4

3

2

1

**TraFFix**  
**Devices Inc.**  160 Avenida La Pata  
San Clemente, CA 92673  
(949) 361-5663  
FAX (949) 361-9205  
www.traffixdevices.com

TITLE:  
**SLED END TREATMENT  
HARDWARE**

DRAWN BY:  
JEREMY SMITH  
CHECKED BY:  
FA  
APPROVED BY:  
FA

DATE:  
02-09-10  
DATE:  
10-16-09  
DATE:  
10-16-09

SIZE **B** DWG. NO. **300-106** REV **H**

SHEET 2 OF 2

8

7

6

5

4

3

2

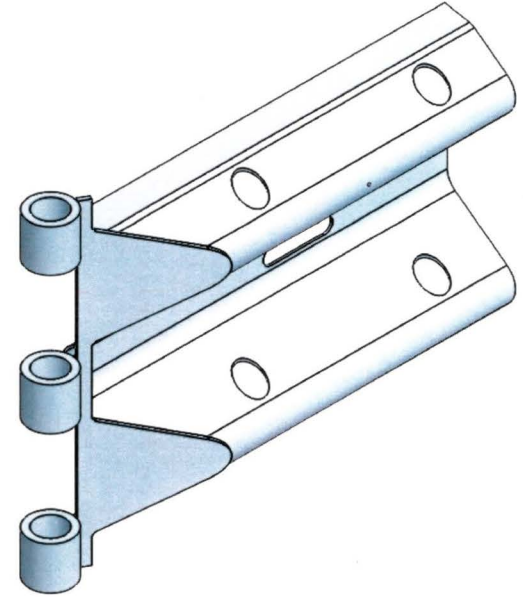
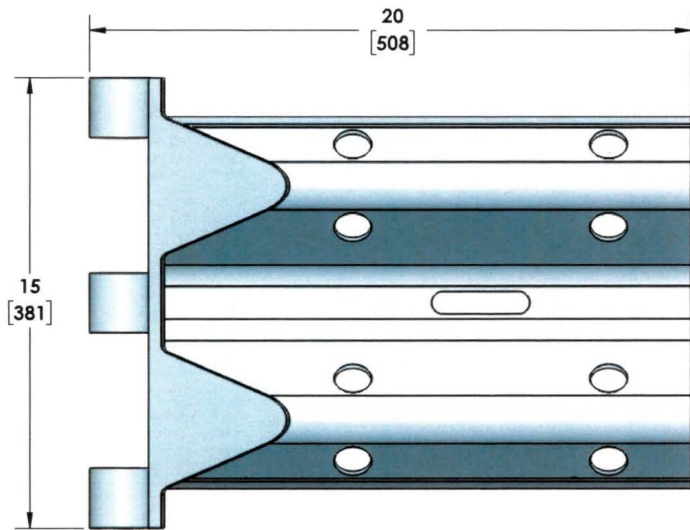
1

D

C

B

A



D

C

B

A

2. Units: Inches [mm]  
 1. Material: Steel  
 NOTES: UNLESS OTHERWISE SPECIFIED

UNLESS OTHERWISE SPECIFIED:  
 ALL DIMENSIONS ARE IN INCHES[mm].

**TrafFix**  
**Devices Inc.**



160 Avenida La Pata  
 San Clemente, CA 92673  
 (949) 361-5663  
 FAX (949) 361-9205  
 www.traffixdevices.com

TITLE:

**W-Beam Guardrail  
 Transition Panel**

DRAWN BY:  
 Christopher Jaime  
 CHECKED BY:  
 FA  
 APPROVED BY:  
 FA

DATE:  
 5/18/17  
 DATE:  
 5/18/17  
 DATE:  
 5/18/17

SIZE  
**B**

DWG. NO.  
**300-263**

REV  
**A**

SHEET 1 OF 1

8

7

6

5

4

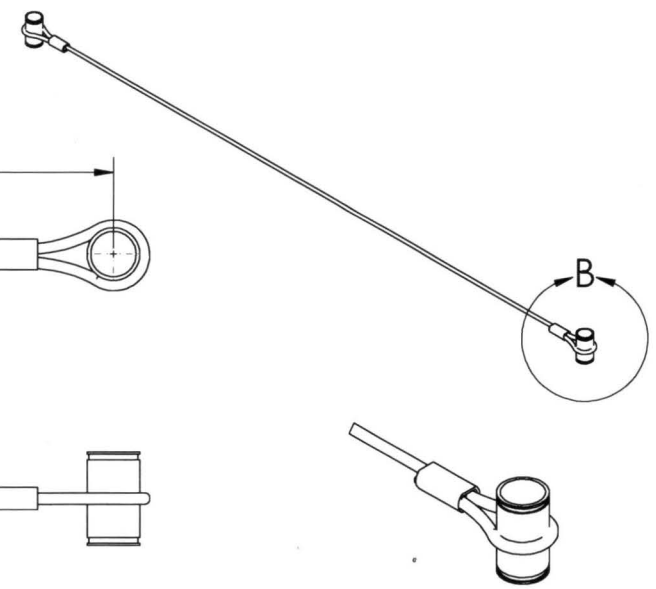
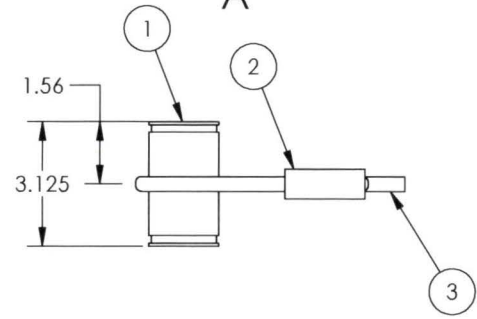
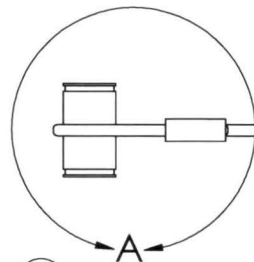
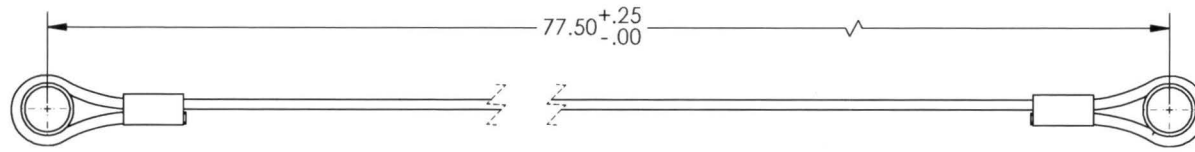
3

2

1



CABLE SPEC  
 3/8" DIA WIRE ROPE  
 CORROSION RESISTANT



UNLESS OTHERWISE SPECIFIED:  
 ALL DIMENSIONS ARE IN INCHES[mm].  
 TOLERANCES:  
 DECIMAL: .000 ± .0625

**Traffix Devices Inc.**  160 Avenida La Pata  
 San Clemente, CA 92673  
 (949) 361-5663  
 FAX (949) 361-9205  
 www.traffixdevices.com

TITLE: **WATER WALL WIRE ROPE**

ITEM NO.	DESCRIPTION	QTY
1	BUSHING	2
2	SWAGE	2
3	CABLE	1

DRAWN BY: \_\_\_\_\_ DATE: 12-29-08  
 CHECKED BY: \_\_\_\_\_ DATE: \_\_\_\_\_  
 APPROVED BY: \_\_\_\_\_ DATE: \_\_\_\_\_

SIZE <b>B</b>	DWG. NO. <b>323</b>	REV <b>A</b>
		SHEET 1 OF 1