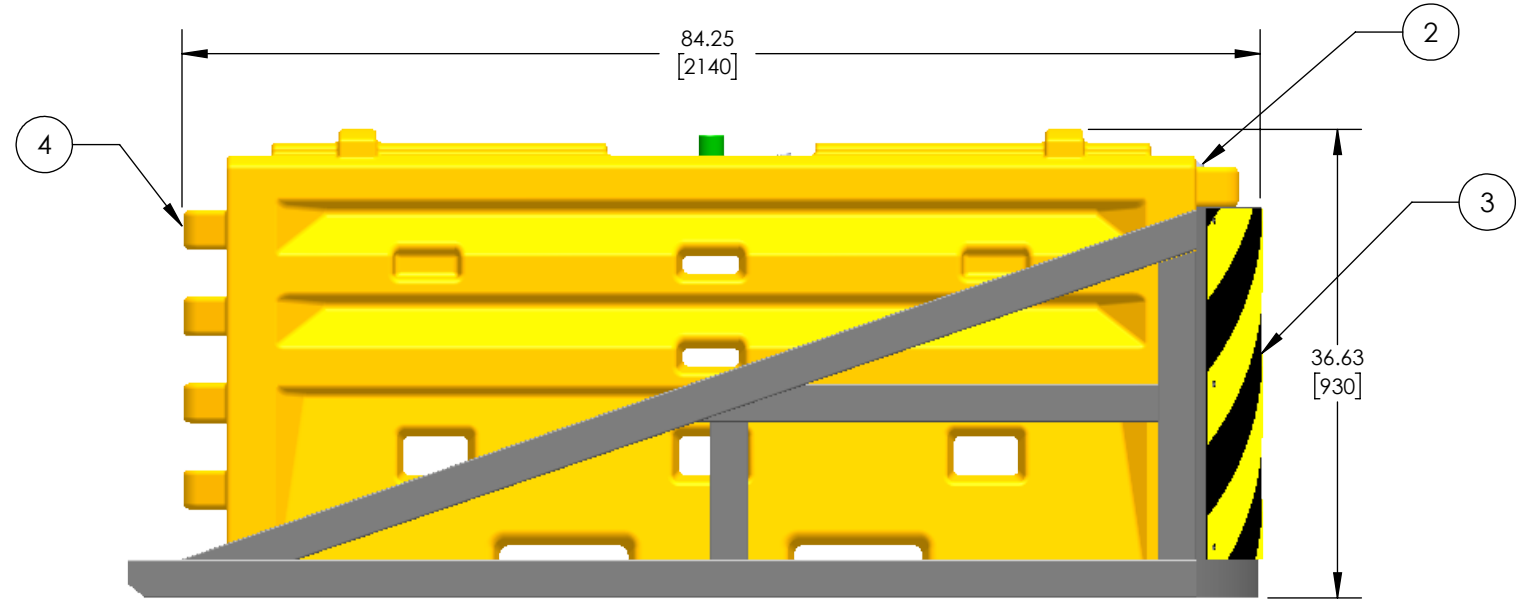
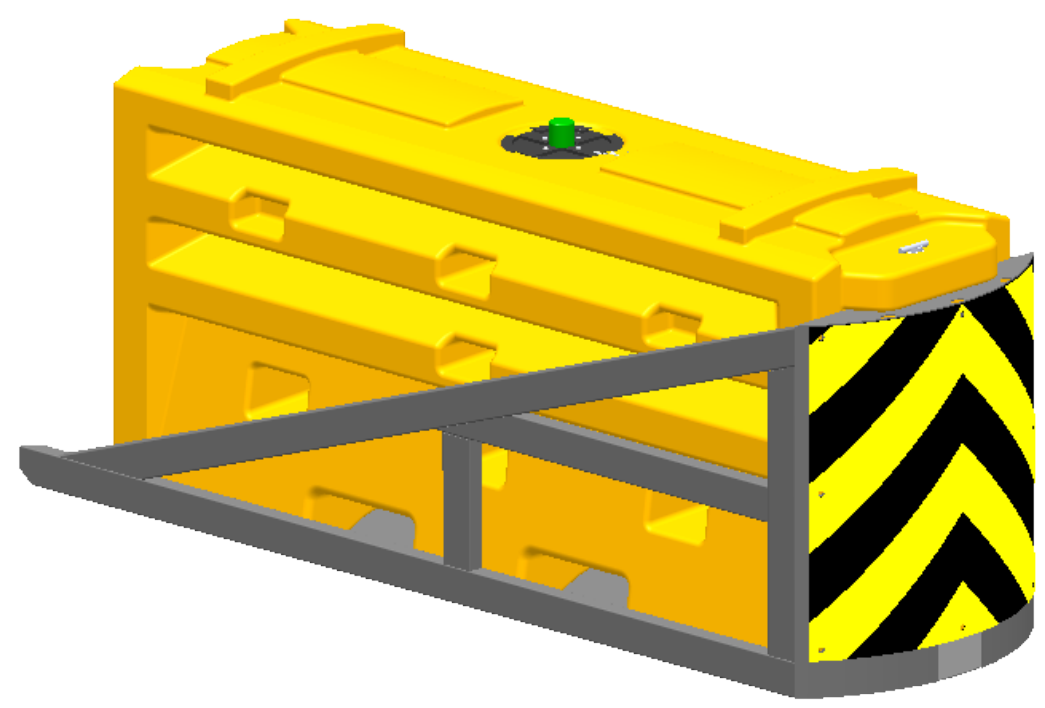
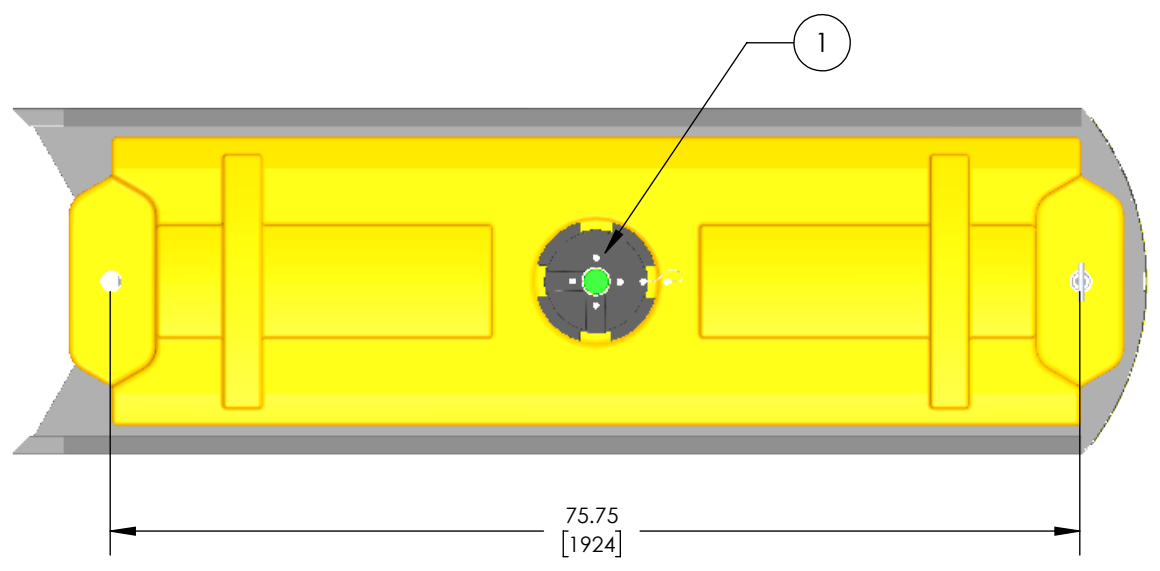


8 7 6 5 4 3 2 1

D  
C  
B  
A



UNLESS OTHERWISE SPECIFIED:  
ALL DIMENSIONS ARE IN INCHES[mm].  
TOLERANCES:  
DECIMAL: X.X ± .0625"  
X.XX ± .032"  
X.XXX ± .015"  
DEGREES: ± 0.5°

**Traffix Devices Inc.**  160 Avenida La Pata  
San Clemente, CA 92673  
(949) 361-5663  
FAX (949) 361-9205  
www.traffixdevices.com

TITLE:  
**SLED Low Rotation  
Primary Module**

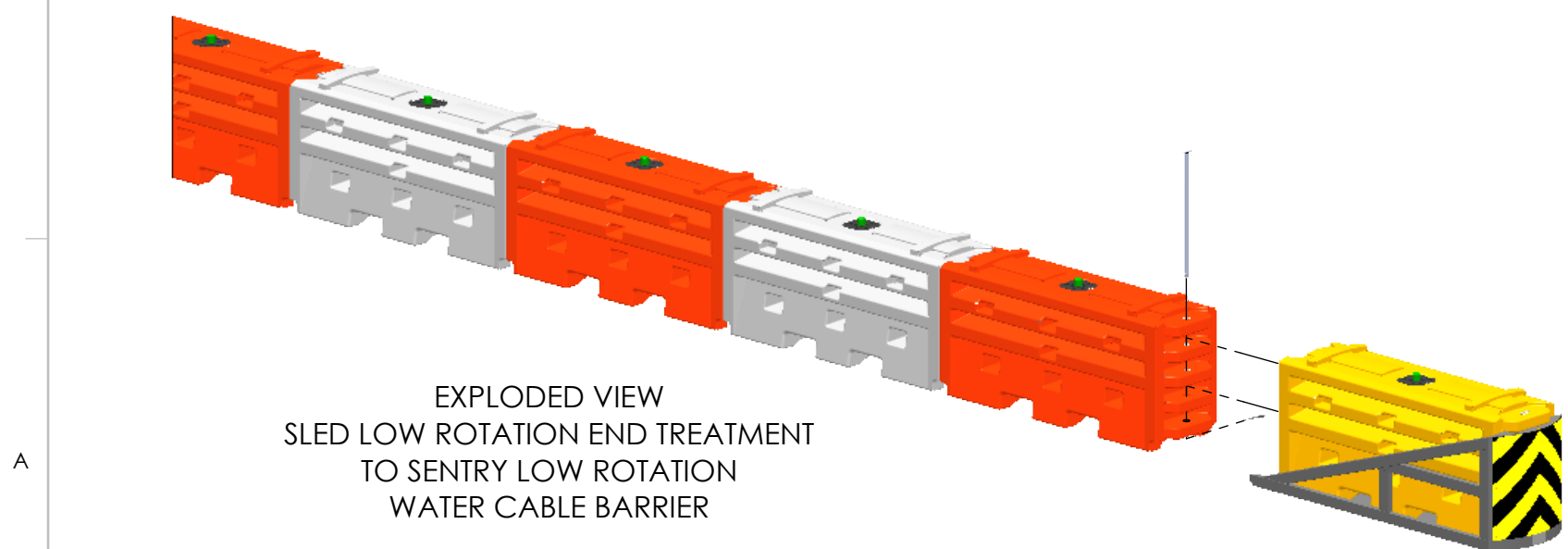
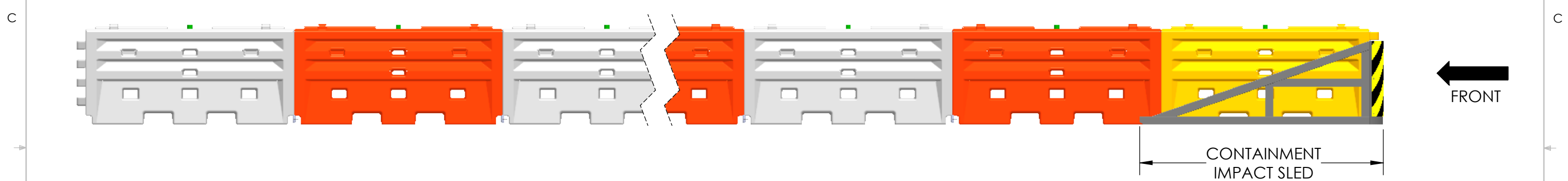
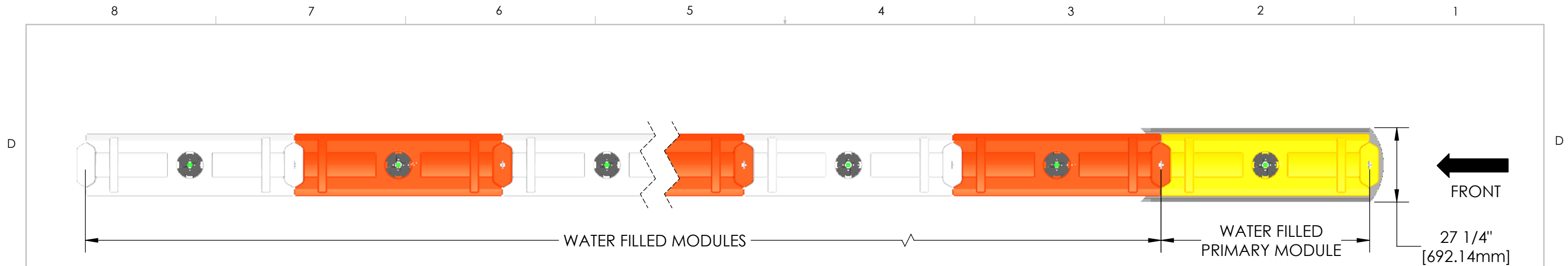
ITEM NO.	DESCRIPTION
1	8" Dia. Fill Hole w/ Twist Lock Lid
2	Connection T-Pin
3	SLED Low Rotation CIS Frame
4	SLED Low Rotation Module

DRAWN BY:  
Christopher Jaime  
DATE:  
5/8/19  
CHECKED BY:  
FA  
DATE:  
5/8/19  
APPROVED BY:  
FA  
DATE:  
5/8/19

SIZE <b>B</b>	DWG. NO. <b>300-327</b>	REV <b>A</b>
		SHEET 1 OF 1

1. Units: Inches [mm]  
**NOTES: UNLESS OTHERWISE SPECIFIED**

8 7 6 5 4 3 2 1



UNLESS OTHERWISE SPECIFIED:  
ALL DIMENSIONS ARE IN INCHES[mm].  
TOLERANCES:  
DECIMAL: X.X ± .0625"  
X.XX ± .032"  
X.XXX ± .015"  
DEGREES: ± 0.5°

**Traffix Devices Inc.**  
160 Avenida La Pata  
San Clemente, CA 92673  
(949) 361-5663  
FAX (949) 361-9205  
www.traffixdevices.com

TITLE: SLED Low Rotation End Treatment to Sentry Low Rotation Water Cable Barrier

DRAWN BY: Christopher Jaime  
CHECKED BY: FA  
APPROVED BY: FA

DATE: 4/30/19  
DATE: 4/30/19  
DATE: 4/30/19

SIZE **B**  
DWG. NO. 300-326  
REV **A**  
SHEET 1 OF 1

1. Units: Inches [mm]  
**NOTES: UNLESS OTHERWISE SPECIFIED**