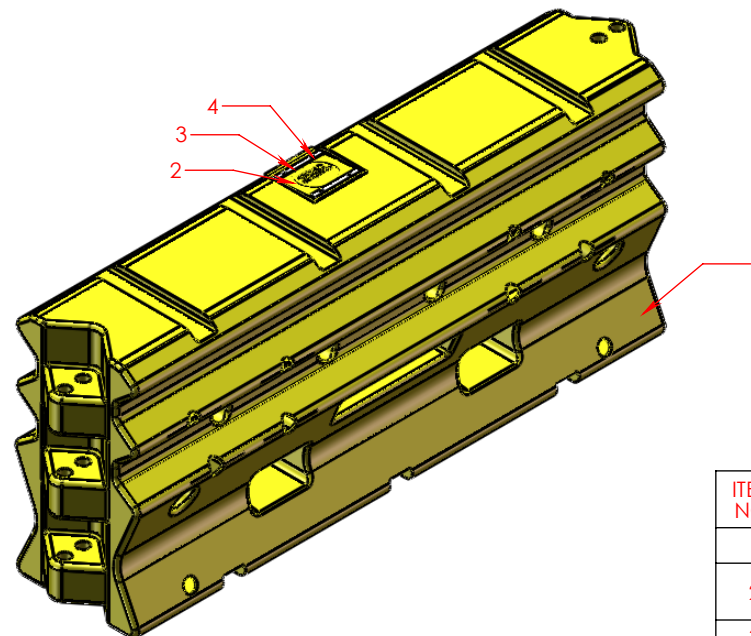
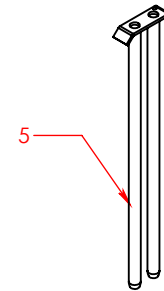
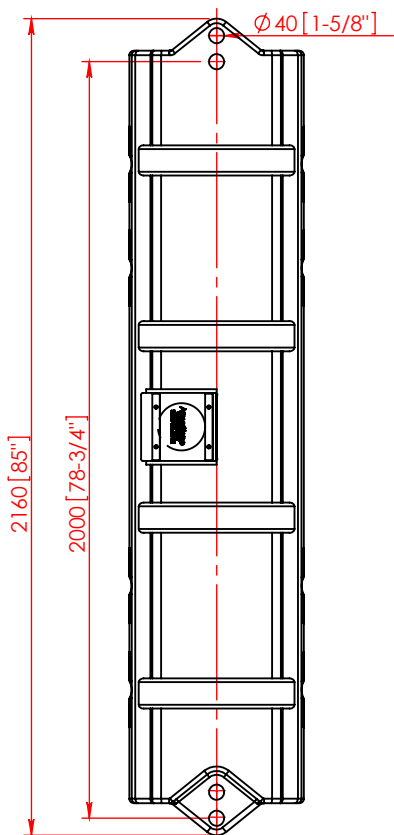


Note:
No Steel Connector inside
Weight 50kg



ITEM NO.	DESCRIPTION	QTY.
1	Plastic Shell	1
2	Lid	1
3	Lid Plate	2
4	Lid Screw	4
5	Standard Pin	1

The information heron is proprietary to Valmont and shall not be disclosed, duplicated or used otherwise without the express written approval of Valmont.

SCALE: 1:20

Standard Tolerance

	DATE	INIT.
DRAWN BY	11/11/2010	LW
APPR'D BY	11/11/2010	BM



57-65 Airds Road,
Minto, NSW, 2566,
Australia
tel. 61 2 9827 3333
fax. 61 2 9827 3300
www.ingalcivil.com.au

REV.	INITIAL ISSUE	CHANGES	DATE
A			11/11/2010

ArmorZone™ End Treatment

SHEET	DRAWING NUMBER	REV.
1 OF 1	AI0274	A