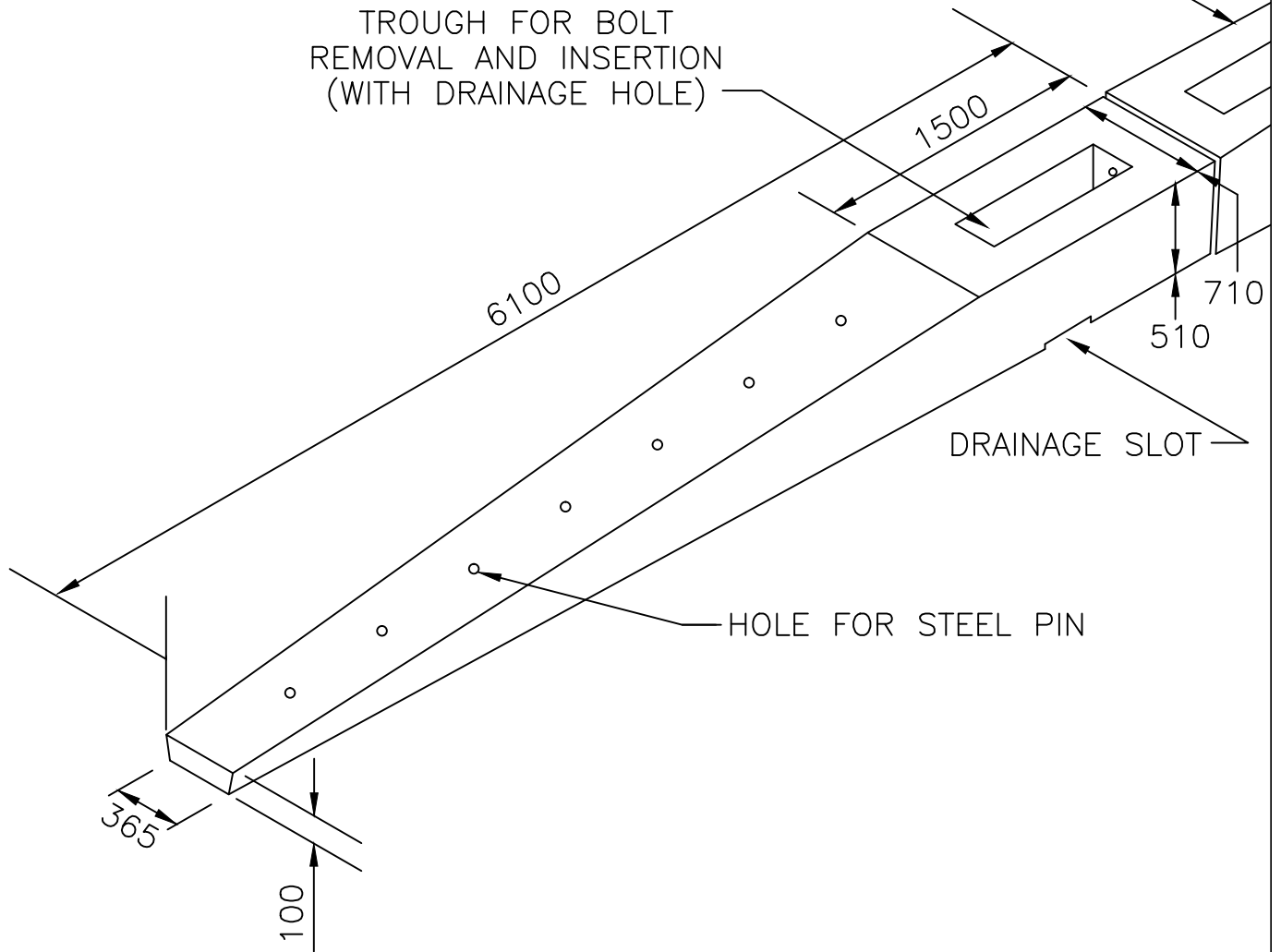


LOW-PROFILE CONSTRUCTION-ZONE BARRIER (SWC03)



1994

LOW-PROFILE CONSTRUCTION-ZONE END TREATMENT



TEXAS TRANSPORTATION INSTITUTE

SER01

SHEET NO.

REF. NO.

1 of 2