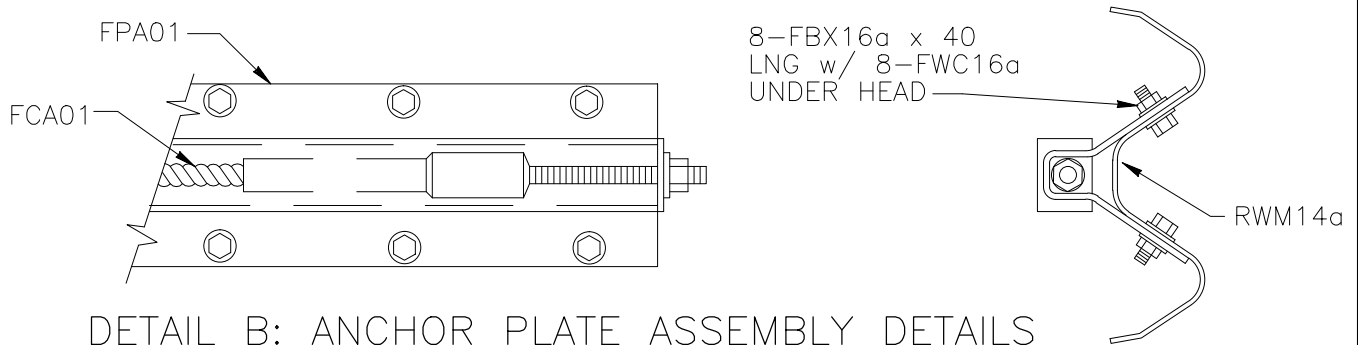
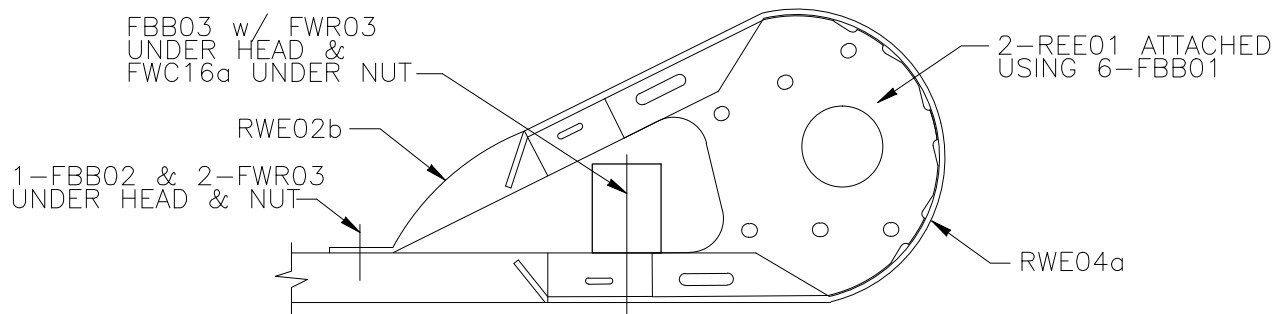


DETAIL A: BUFFERED END & ANCHORAGE ASSEMBLY



DETAIL B: ANCHOR PLATE ASSEMBLY DETAILS



DETAIL C: BUFFERED END ASSEMBLY

1994

MODIFIED ECCENTRIC LOADER BREAKAWAY CABLE TERMINAL

SEW05

SHEET NO.

REF. NO.

3 of 6