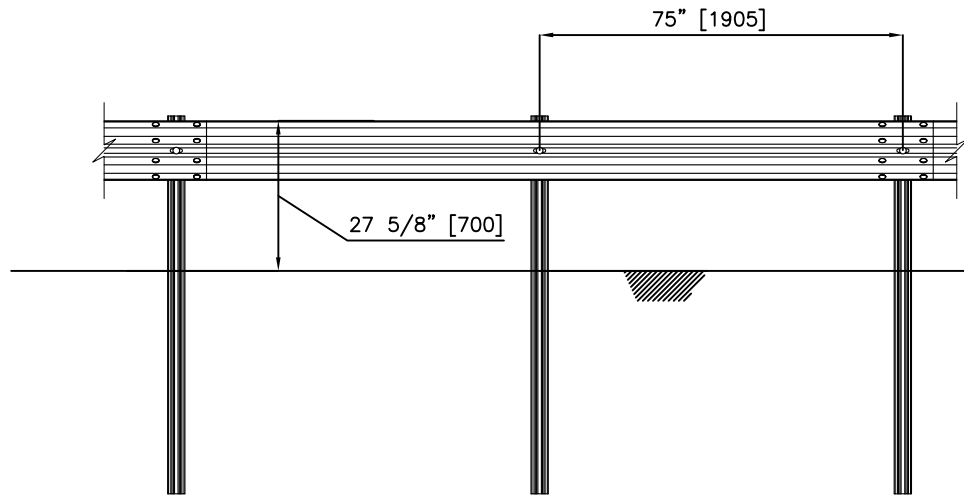
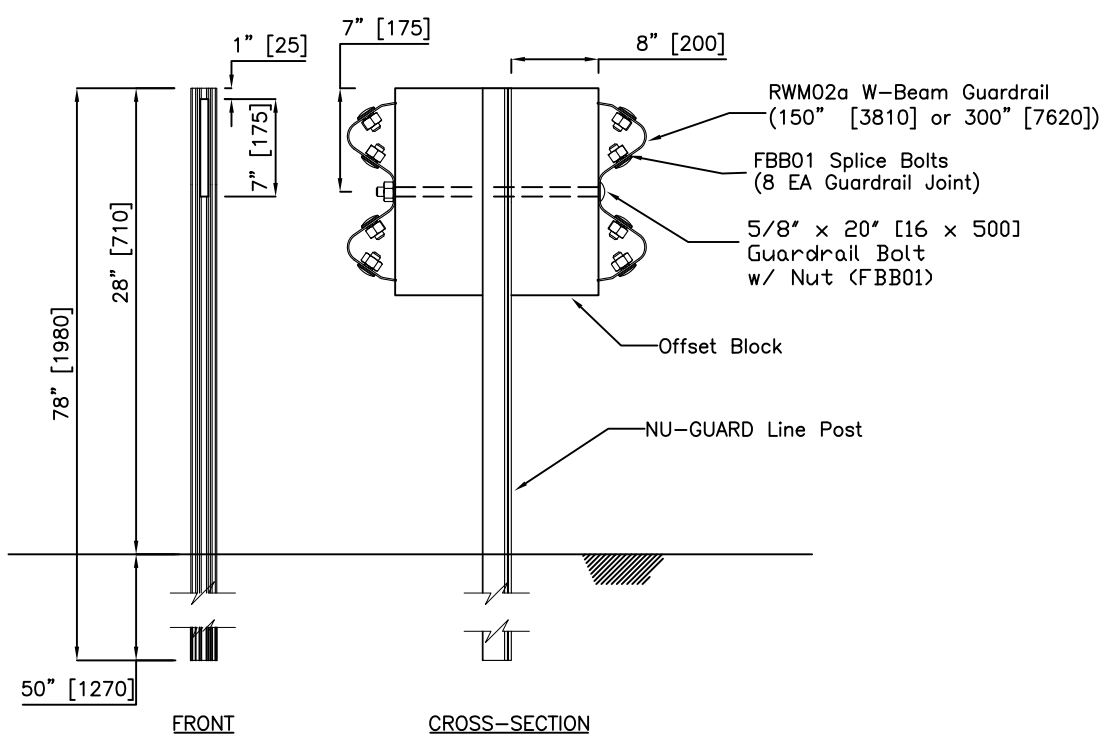


DIRECTION OF TRAFFIC →

PLAN



ELEVATION



NU-GUARD-27 MEDIAN BARRIER

SGM24

SHEET NO.	DATE:
1 of 2	09/01/2011

INTENDED USE

The NU-GUARD-27 median system is a corrugated metal w-beam barrier for use on national, state and local roadways to prevent collisions with hazards as required by safety design standards. The system is designed for median applications as an alternate to SGR04, for strong or weak post applications. The system may be connected to any crashworthy 27 5/8" [702] mounting height guardrail terminal or transition system. The system is to be installed on approach slopes no greater than 10H:1V, wherever a maximum working deflection of 45" [1150] is required. The system posts may be used interchangeably, in lieu of timber and steel posts, when maintaining strong-post W-Beam guardrails (SGR04).

COMPONENTS

The posts are Rib-Bak U-Channel sign posts 5 lb/ft [7.4 kg/m] fabricated from hot rolled carbon steel bars conforming to the requirements of NUCOR/Marion Steel Company Grade SP-80 with a minimum yield point of 80,000 psi [552 MPa].

Unit length = 150" [3810]

Designator	Component	Number
RWM02a	W-beam rail	2
	NU-GUARD Line Post	2
	Offset Block	4
	20" [500] Guardrail-post bolt and nut	2
FBB01	Splice bolt and nut	16

The system meets NCHRP-350 TL-3 requirements as a longitudinal barrier.

AGENCY ACCEPTANCE

FHWA Acceptance Letter [B-162](#), 09/11/2007

FHWA Acceptance Letter [B-186](#), 08/03/2009

CONTACT INFORMATION

Nucor Steel Marion Inc.
912 Cheney Avenue
Marion, Ohio 43301-1801
(800) 333-4011
(740) 383-6429 Fax
www.nucorhighway.com

NU-GUARD-27 MEDIAN BARRIER

SGM24

SHEET NO.

DATE

2 of 2

09/01/2011

NUCOR

BAR MILL GROUP

NUCOR STEEL MARION, INC.

All Nucor Steel Marion Inc. products are produced from 100% recycled steel.