

ISOMETRIC VIEW

MANITOBA CONSTRAINED-WIDTH, TALL WALL - MEDIAN



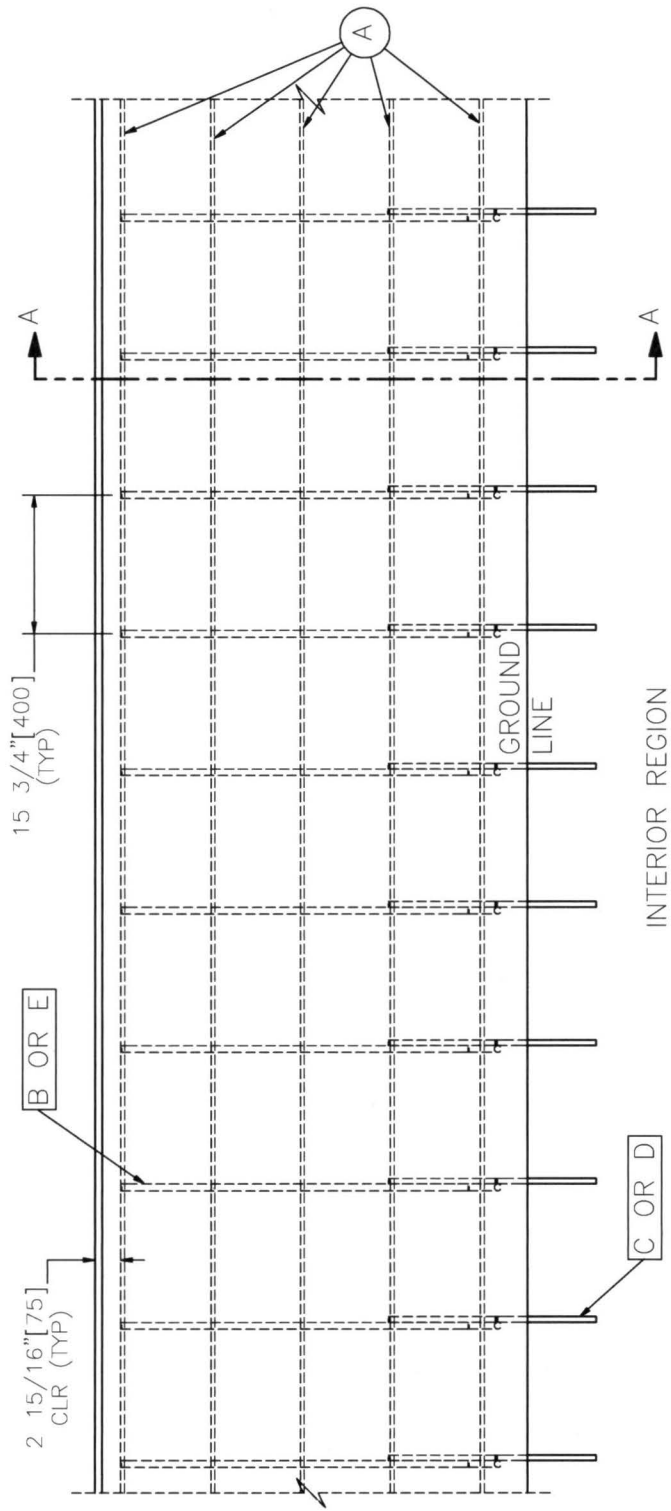
SSS##a-c

SHEET NO.

DATE:

1 of 7

9/27/2016



NOTES:

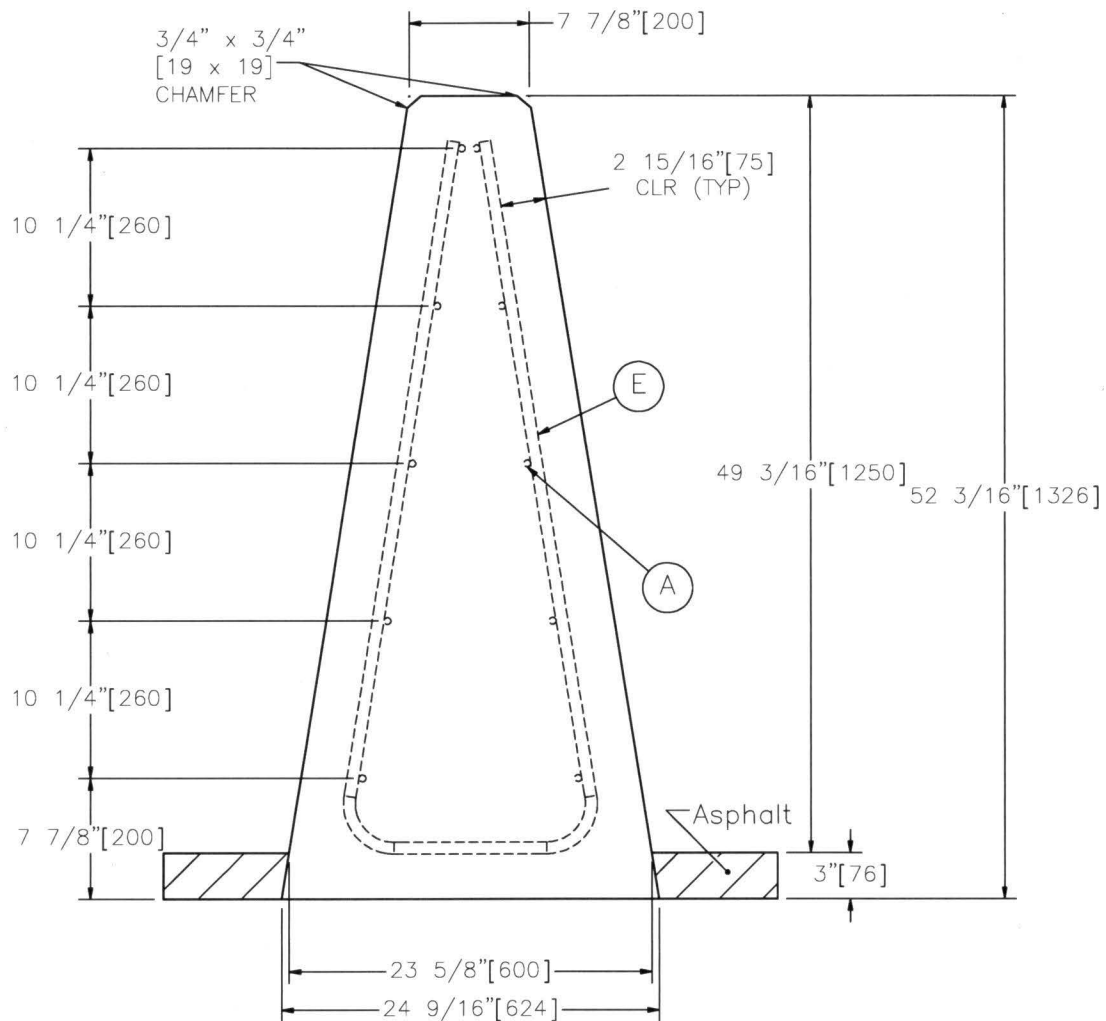
- (1) A MINIMUM OVERLAP OF 24" [610] IS TO BE USED FOR ALL LONGITUDINAL REBAR.
- (2) END SECTION REINFORCEMENT SPACING OF BAR B IS 11 13/16" [300] INSTEAD OF 15 3/4" [400] AND SHOULD EXTEND FOR A MINIMUM LENGTH OF 109 5/8" [2785] ADJACENT TO DISCONTINUITIES.

MANITOBA CONSTRAINED-WIDTH, TALL WALL - MEDIAN



SSS##a-c

SHEET NO.	DATE:
3 of 7	9/27/2016



SECTION A-A
OPTION C
ASPHALT KEYWAY ANCHORAGE

NOTES:

- (1) END SECTIONS STILL REQUIRE ANCHORAGE TO FOUNDATION SLAB VIA OPTIONS A OR B.
- (2) 2 15/16" [75] CLEAR COVER FOR ALL REBAR.

MANITOBA CONSTRAINED-WIDTH, TALL WALL - MEDIAN



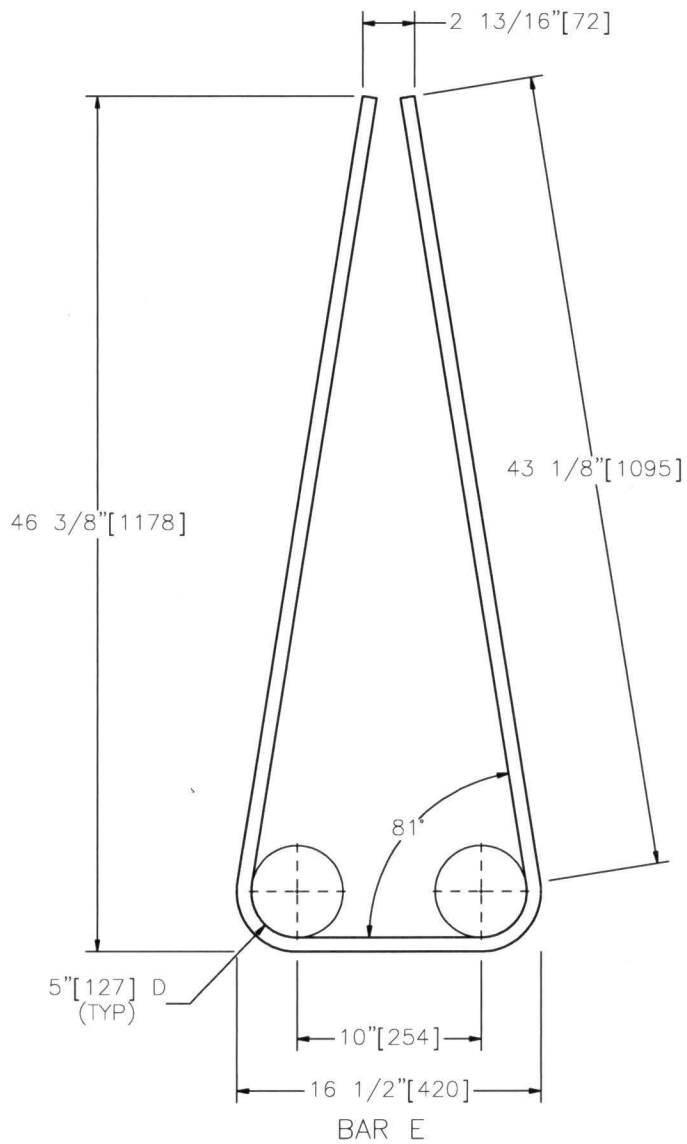
SSS##a-c

SHEET NO.

DATE:

5 of 7

9/27/2016



BAR	SYSTEM	QUANTITY	SIZE	LENGTH	MATERIAL
E	c	10	20M	106 3/16" [2,698]	CANADIAN METRIC GR. 400W

MANITOBA CONSTRAINED-WIDTH, TALL WALL - MEDIAN



SSS##a-c

SHEET NO.

DATE:

7 of 7

9/27/2016